

**FLOW REGULATOR**
**ACCESSORIES  
MANUAL PNEUMATIC DISTRIBUTORS**


The flow regulators series 900 are available with one way or two ways air flow regulation. The range is composed by regulators with 1/8", 1/4" and 1/2" connection. The body is made of anodized aluminium while the needle is in nickel plated brass. The mounting is possible by holes in valve body.

**TECHNICAL DATA**
**FLOW RATES**

Size	Port	Fole rate NI/min.				
		152	180	214	250	285
A	1/8"	152	180	214	250	285
B	1/4"	243	289	342	406	457
C	1/2"	908	1078	1277	1490	1702
Pressure bar		3	4	5	6	7

**CONSTRUCTIVE FEATURES**

<b>Ports</b>	1/8" - 1/4" - 1/2"
<b>Functions</b>	One way Two ways
<b>Body</b>	Anodized aluminium
<b>Regulation niddle</b>	Nickel plated brass
<b>Seals</b>	Nitrilic rubber NBR
<b>Mounting</b>	Holes on valve body

**TECHNICAL DATA**

<b>Fluid</b>	Filtered air
<b>Lubrication</b>	With or without lubrication
<b>Lubricant</b>	Compatible with NBR (3°÷10° E) class H

**TECHNICAL FEATURES**

Denomination	Taglia		
	A	B	C
<b>Nominal diameter mm.</b>	3,5	7	11
<b>Operating pressure</b>	1 ÷ 10 bar		
<b>Temperature range</b>	-10°C +60°C		

## RANGE

### 1 NOTCH FLOW REGULATOR



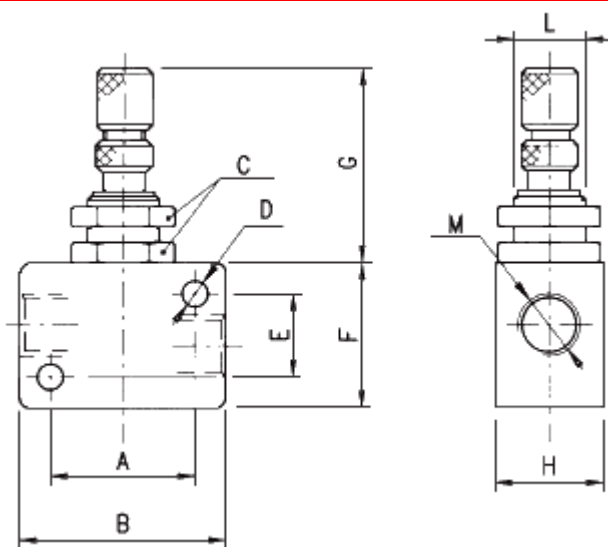
	Symbol	Size	Port	Weight g	Model
ONE WAY		A	1/8"	53	<b>901</b>
		B	1/4"	90	<b>902</b>
		C	1/2"	208	<b>904</b>
TWO WAYS		A	1/8"	53	<b>911</b>
		B	1/4"	90	<b>912</b>
		C	1/2"	208	<b>914</b>

### 3 NOTCH FLOW REGULATOR



	Symbol	Size	Port	Weight g	Model
ONE WAY		A	1/8"	53	<b>901/3</b>
		B	1/4"	90	<b>902/3</b>
TWO WAYS		A	1/8"	53	<b>911/3</b>
		B	1/4"	90	<b>912/3</b>

## DIMENSIONS



	Size	Port	A	B	C	D	E	F	G	H	L	M	Model
ONE WAY	A	1/8"	23	32	CH15	4,5	13	22	35	17	M12	1/8"	<b>901-901/3</b>
	B	1/4"	30	40	CH15	4,5	22	32	35	22	M12	1/4"	<b>902-902/3</b>
	C	1/2"	43	56	CH24	6,5	27	42	43	27	M18	1/2"	<b>904</b>
TWO WAYS	A	1/8"	23	32	CH15	4,5	13	22	35	17	M12	1/8"	<b>911-911/3</b>
	B	1/4"	30	40	CH15	4,5	22	32	35	22	M12	1/4"	<b>912-912/3</b>
	C	1/2"	43	56	CH24	6,5	27	42	43	27	M18	1/2"	<b>914</b>

