



IV-G300CA

Capteur, Modèle à large champ de vision, Couleur, Modèle à mise au point automatique



Spécifications

| | | |
|------------------------------|---|---|
| Modèle | IV-G300CA | |
| Type | Modèle à large champ de vision | |
| Distance d'installation | 40 à 300 mm | |
| Champ de vision | Distance d'installation de 40 mm: 42 (H) x 31 (V) mm jusqu'à Distance d'installation de 300 mm: 275 (H) x 206 (V) mm | |
| Capteur d'image | Type | CMOS couleur 1/3" |
| | Pixel | 752 (H) x 480 (V) |
| Mise au point | Auto ^{*1} | |
| Temps d'exposition | 1/25 à 1/50,000 | |
| Éclairages | Source lumineuse | LED blanche |
| | Technique d'éclairage | Éclairage à impulsion |
| Voyants | 2 (mêmes spécifications pour les deux voyants) | |
| Résistance à l'environnement | Classe du boîtier | IP67 ^{*2} |
| | Température ambiante | De 0 à +50 °C (Pas de gel) |
| | Humidité relative | 35 à 85 % HR (Sans condensation) |
| | Résistance aux vibrations | De 10 à 55 Hz, Double amplitude de 1,5 mm, 2 heures dans chacune des directions X, Y et Z ^{*3} |
| | Résistance aux chocs | 500 m/s ² , 6 fois dans chaque direction (X, Y et Z) ^{*3} |
| Matériau | Boîtier de l'unité principale: zinc moulé sous pression, Capot avant: acrylique (revêtement dur), Cache du voyant d e fonctionnement: TPU | |
| Poids | Environ 75 g | |

^{*1} La position de mise au point peut être réglée automatiquement lors de l'installation. Elle est désactivée pendant le fonctionnement. La position de mise au point peut être enregistrée au moyen d'un programme.

^{*2} Excepté en cas d'utilisation du filtre de polarisation (OP-87899/OP-87900/OP-87901/OP-87902).

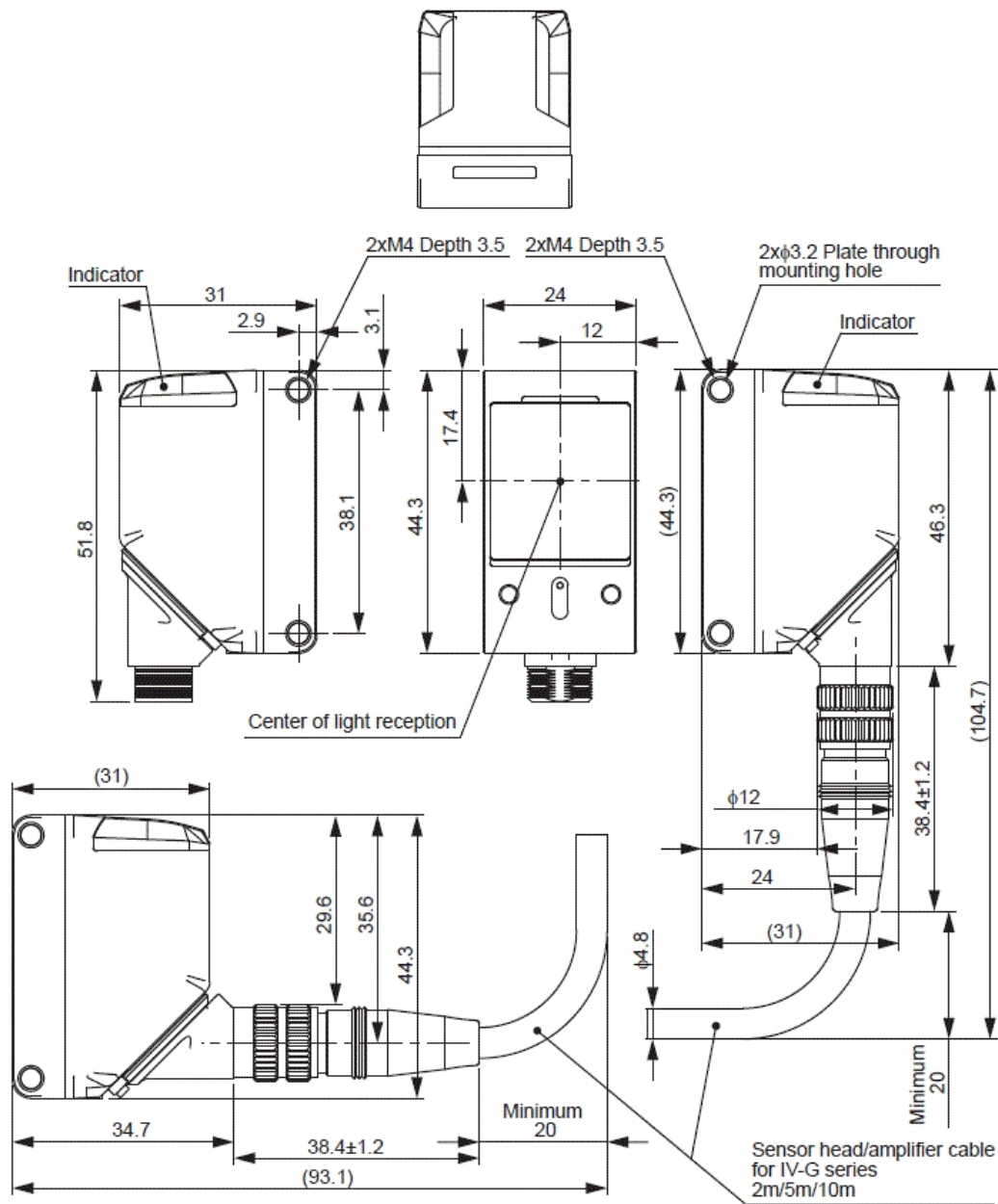
^{*3} Excepté en cas d'utilisation d'une fixation pour éclairage dôme pour série IV-G (IV-GD05/IV-GD10).

Dimensions

* En cas de difficultés à lire le texte, consultez les données CAO ou le manuel.

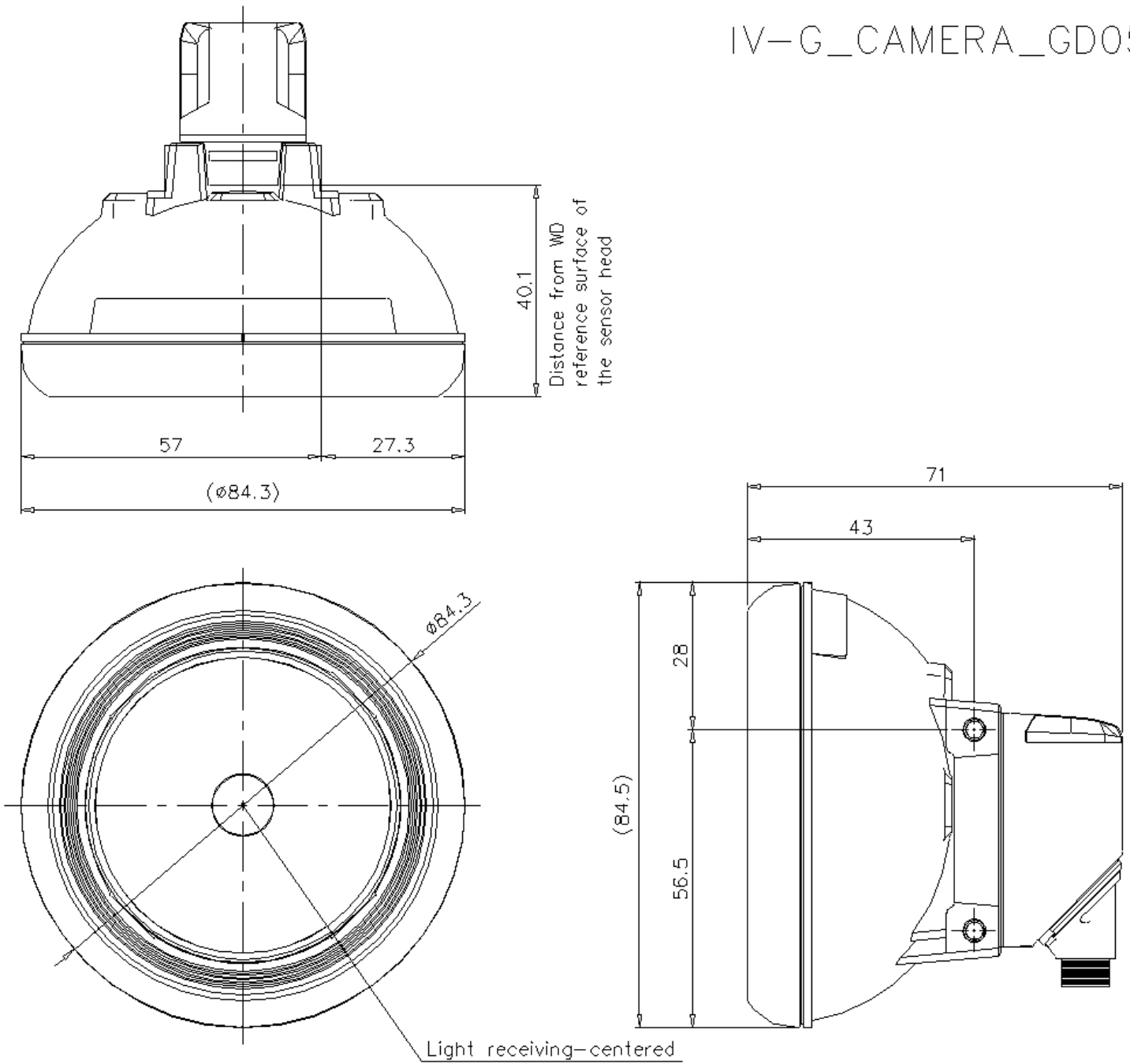
IV-G_CAMERA_dimension_01.gif

- IV-G500CA
- IV-G500MA
- IV-G150MA
- IV-G300CA
- IV-G600MA



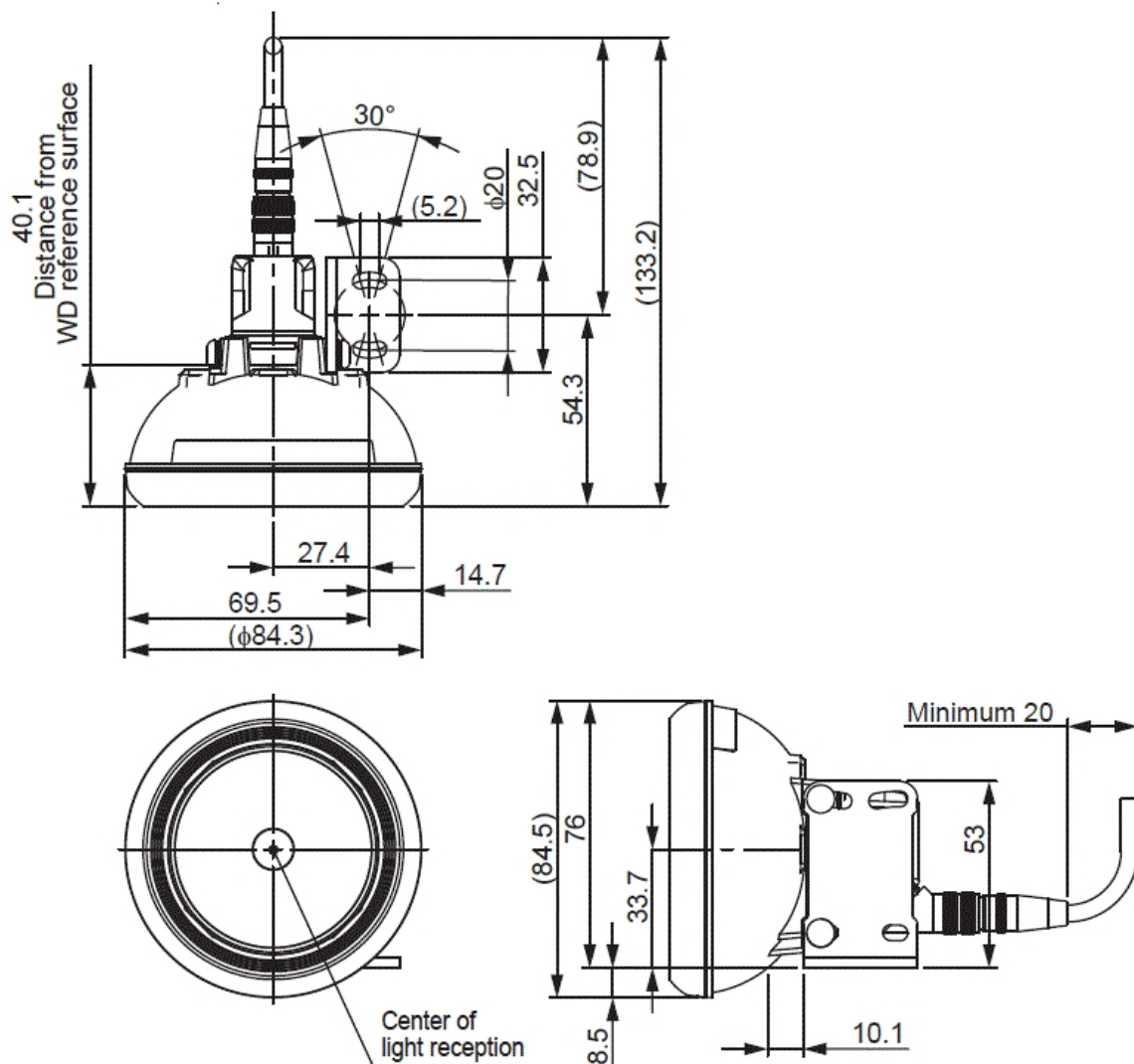
IV-G_CAMERA_GD05_dimension_01.gif

IV-G_CAMERA_GD05



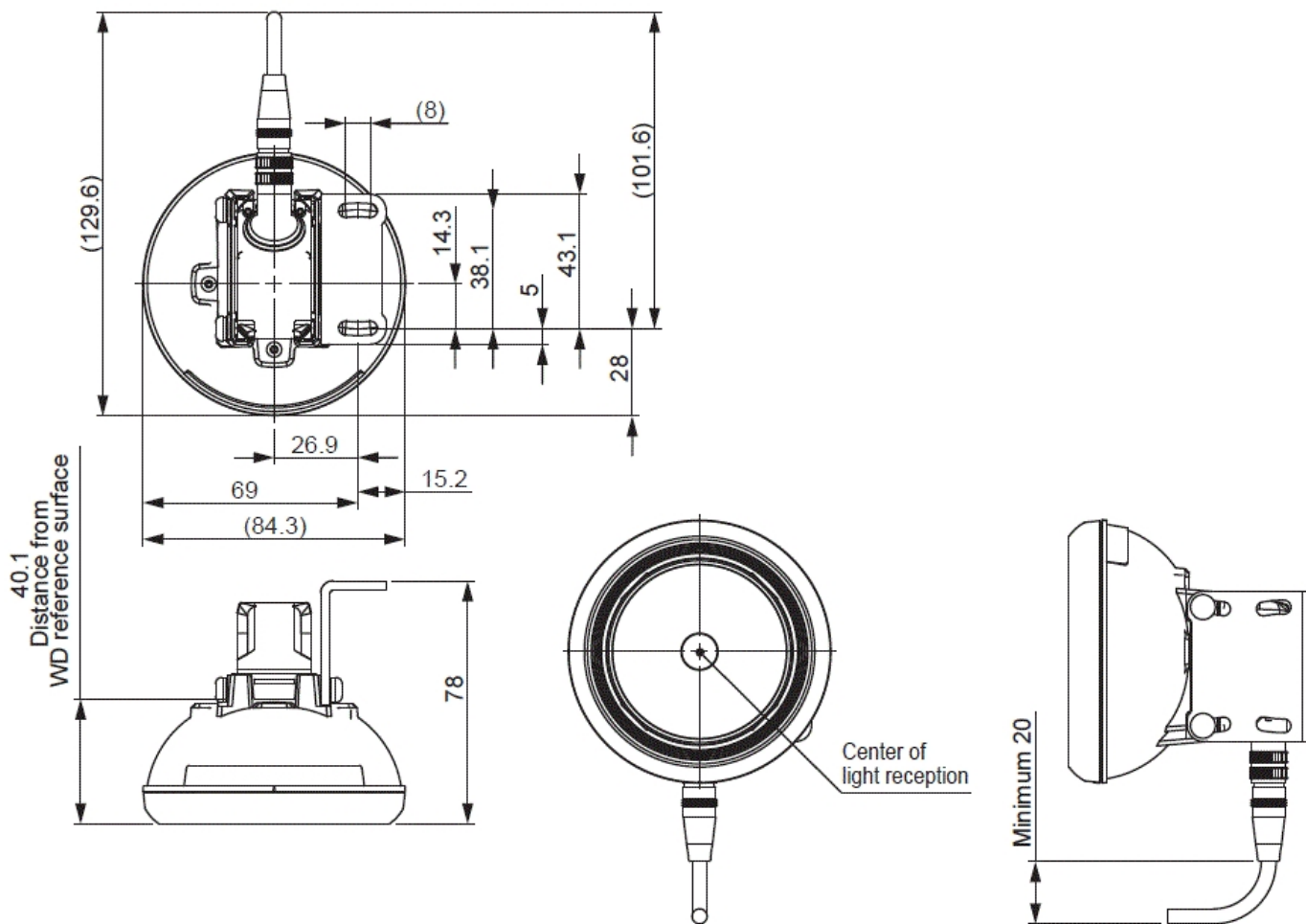
IV-G_CAMERA_GD05_OP-87908_dimension_01.gif

- Dome attachment for IV-G series (IV-GD05)
with Vertical mounting bracket for IV-G series (OP-87908)



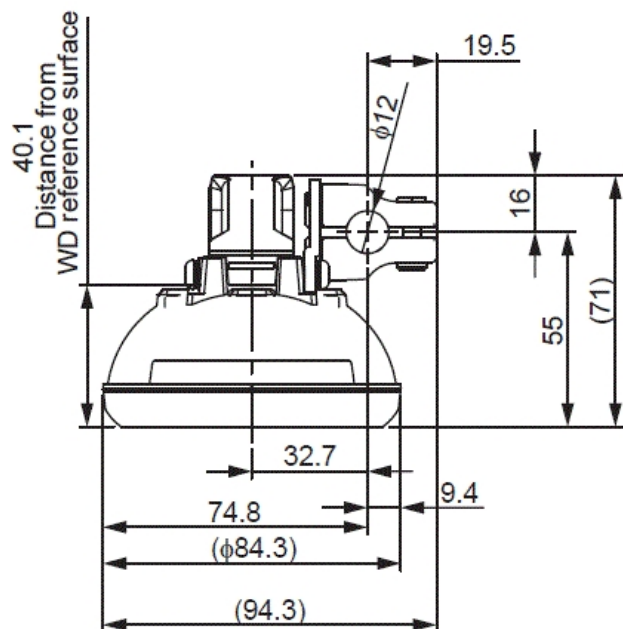
IV-G_CAMERA_GD05_OP-87909_dimension_01.gif

- Dome attachment for IV-G series (IV-GD05)
with Transverse mounting bracket for IV-G series (OP-87909)

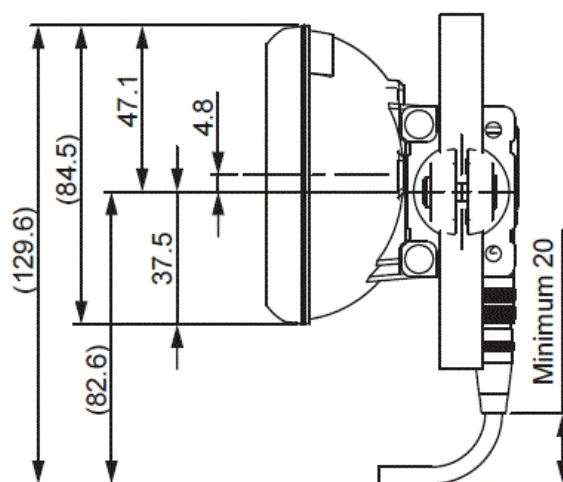
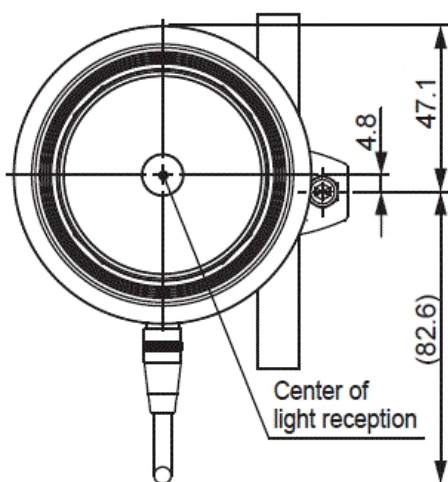


IV-G_CAMERA_GD05_OP-87910_dimension_01.gif

• Dome attachment for IV-G series (IV-GD05)
with Adjustable bracket for IV-G series (OP-87910)

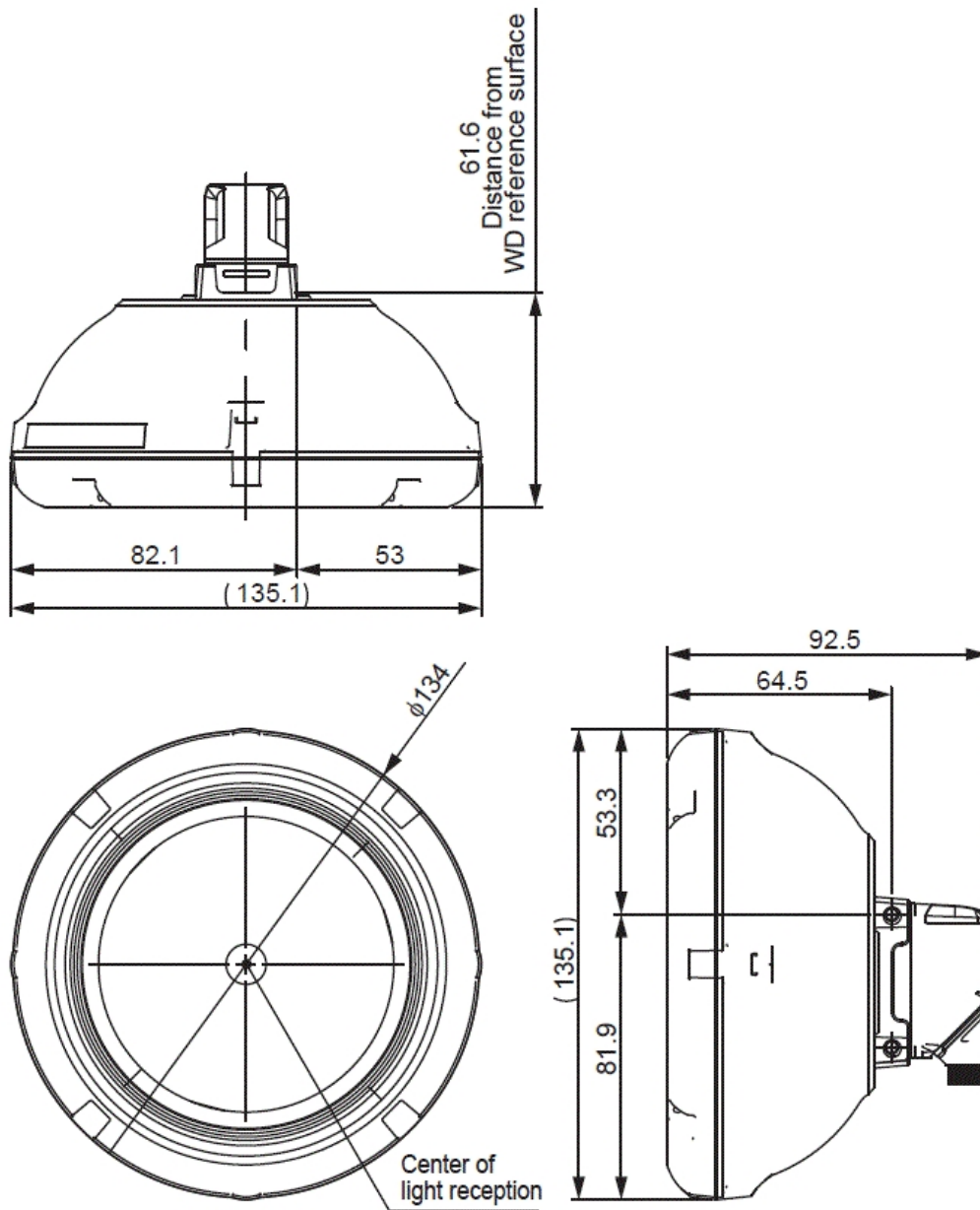


* Strut φ12 is not supplied with the OP-87910



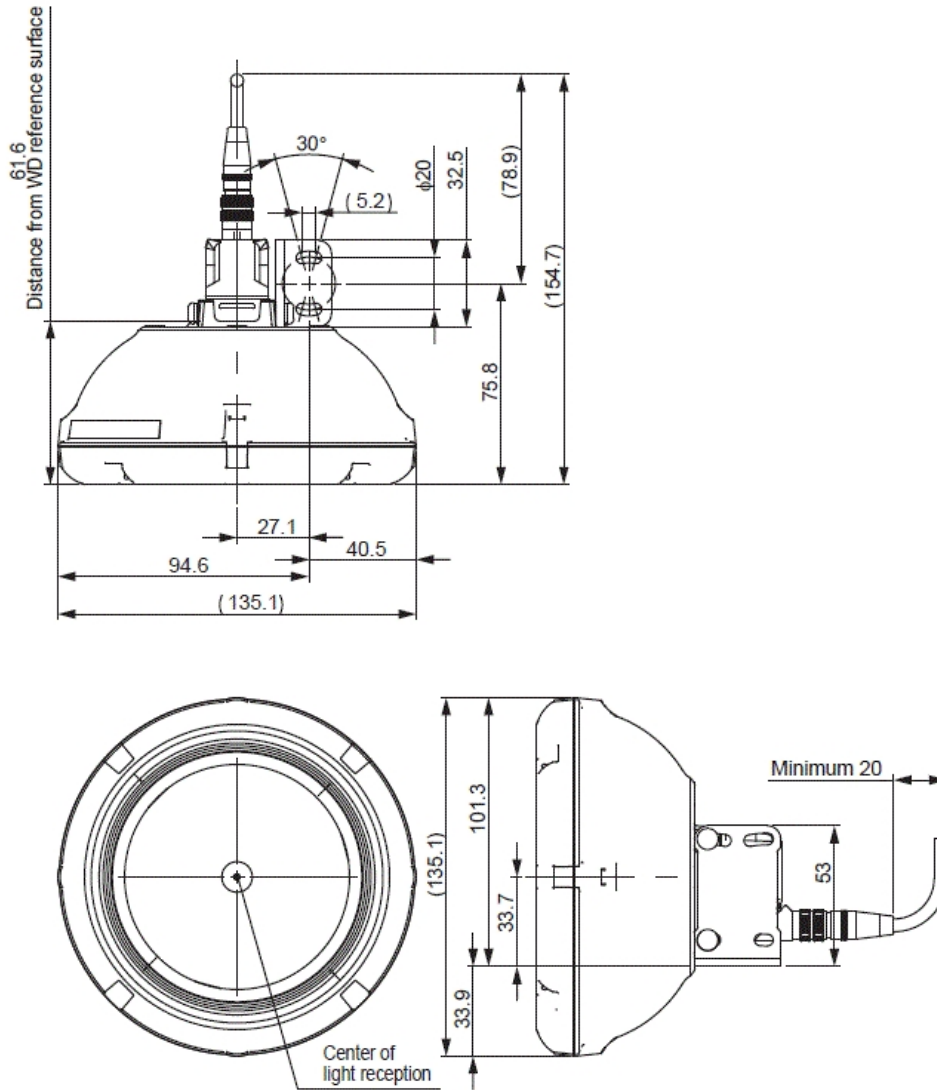
IV-G_CAMERA_GD10_dimension_01.gif

• With Dome attachment for IV-G series (IV-GD10)



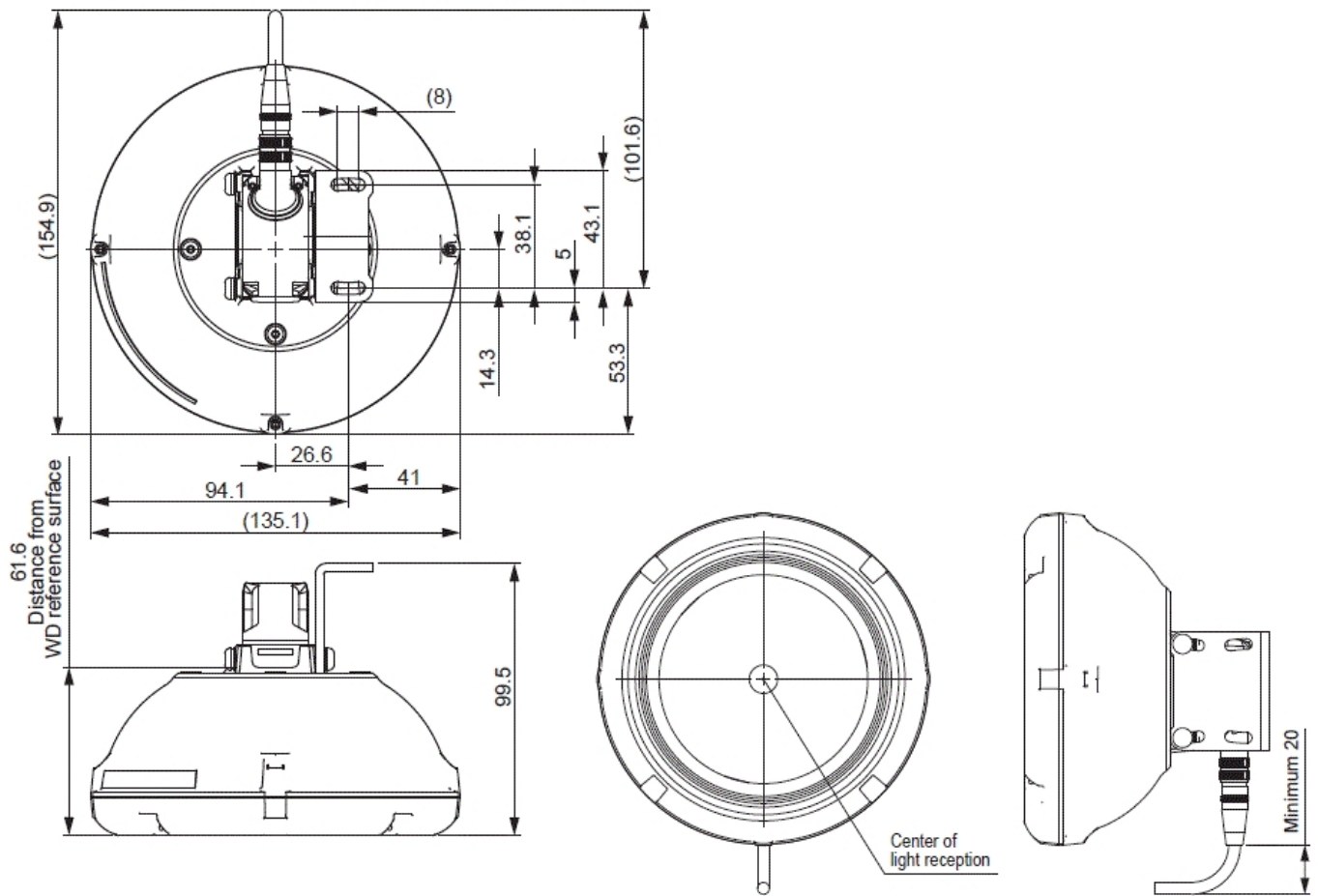
IV-G_CAMERA_GD10_OP-87908_dimension_01.gif

- Dome attachment for IV-G series (IV-GD10) with Vertical mounting bracket for IV-G series (OP-87908)



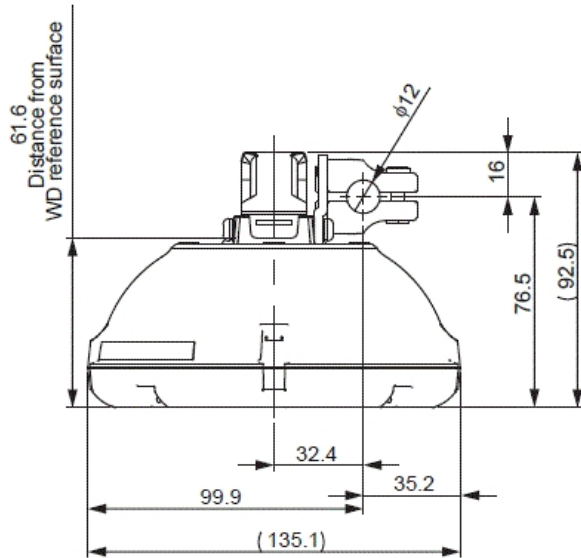
IV-G_CAMERA_GD10_OP-87909_dimension_01.gif

- Dome attachment for IV-G series (IV-GD10) with Transverse mounting bracket for IV-G series (OP-87909)

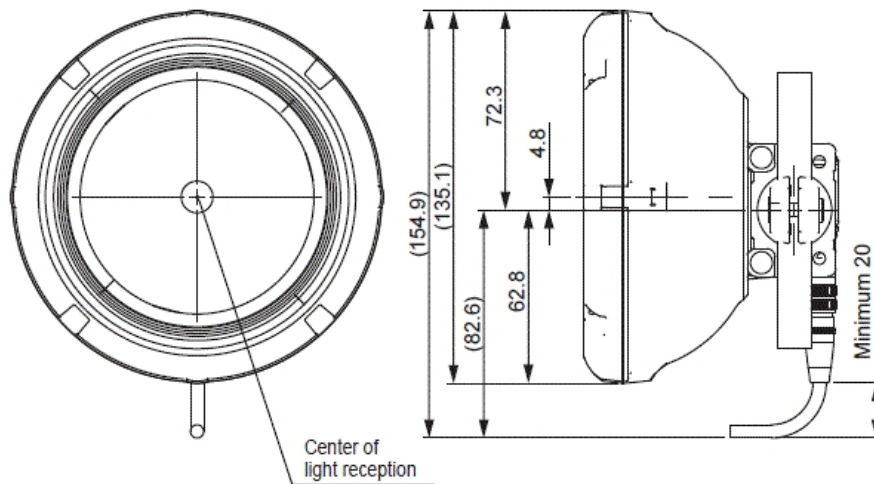


IV-G_CAMERA_GD10_OP-87910_dimension_01.gif

• Dome attachment for IV-G series (IV-GD10) with
Adjustable bracket for IV-G series (OP-87910)

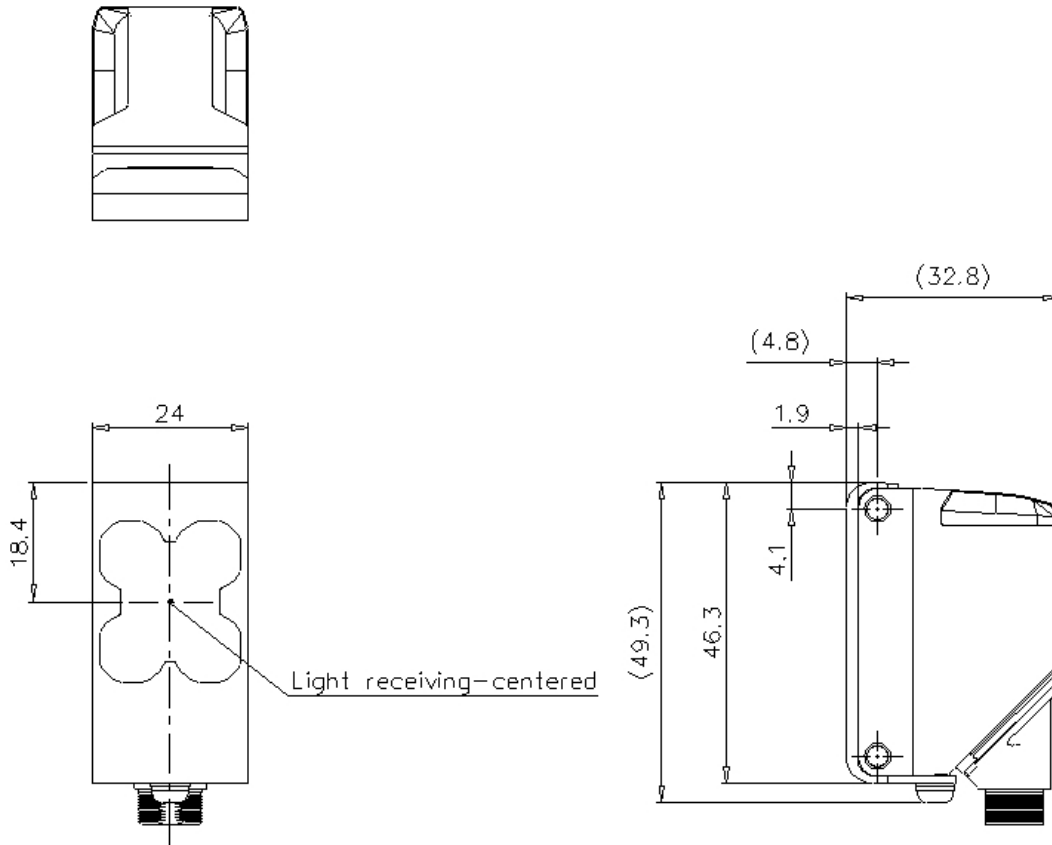


* Strut $\phi 12$ is not supplied with the OP-87910



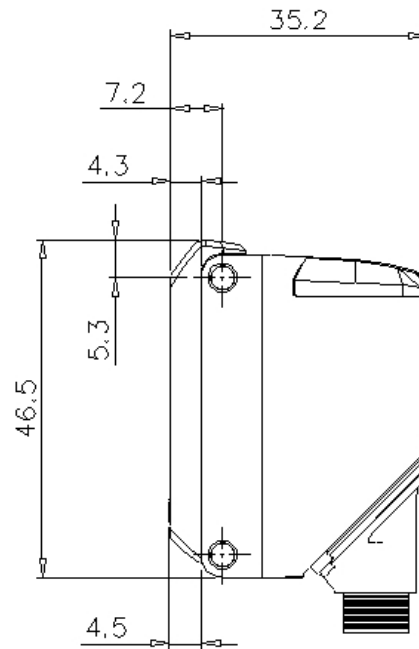
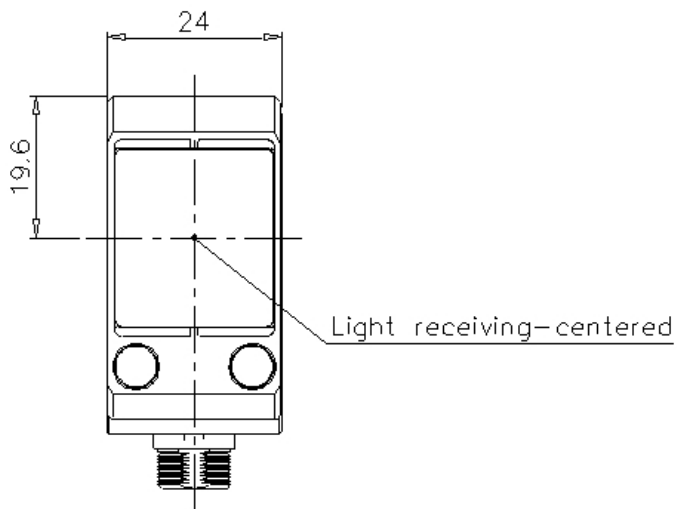
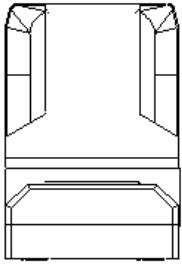
IV-G_CAMERA_OP-87899_87900_87901_dimension_01.gif

IV-G_CAMERA_OP-87899/87900/87901



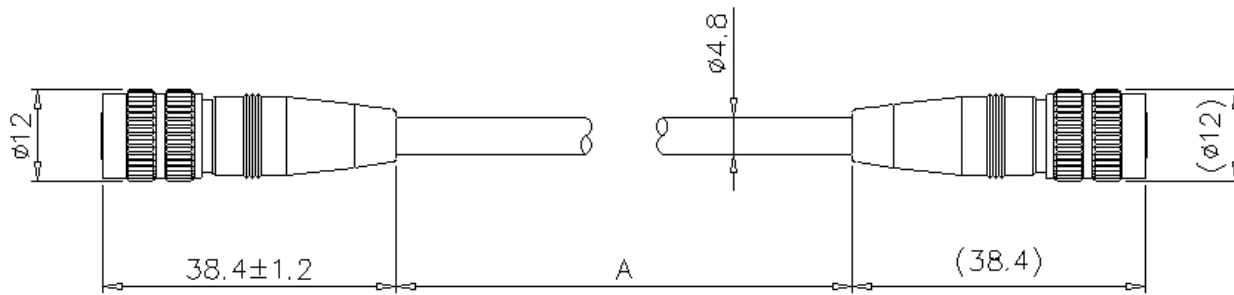
IV-G_CAMERA_OP-87902_dimension_01.gif

IV-G_CAMERA_OP-87902



IV-G_CAMERA_OP-87903_87904_87905_dimension_01.gif

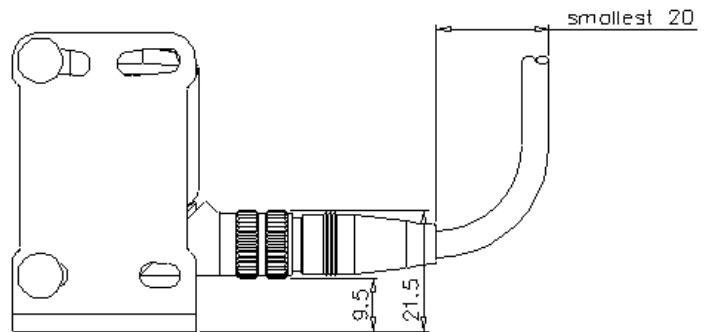
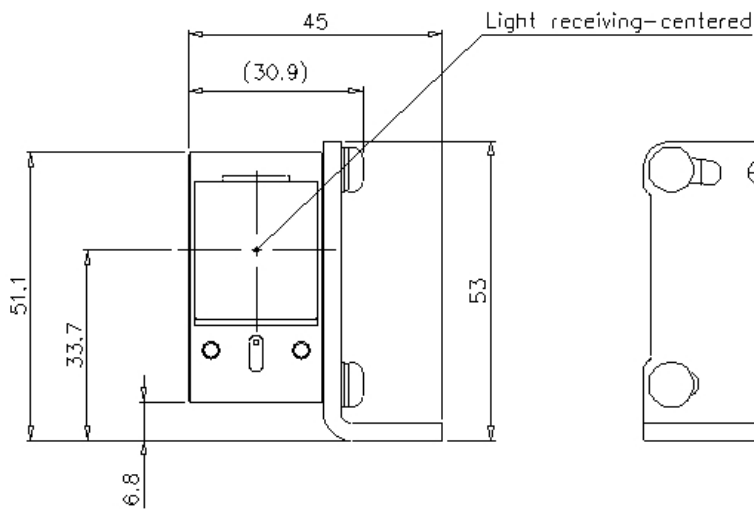
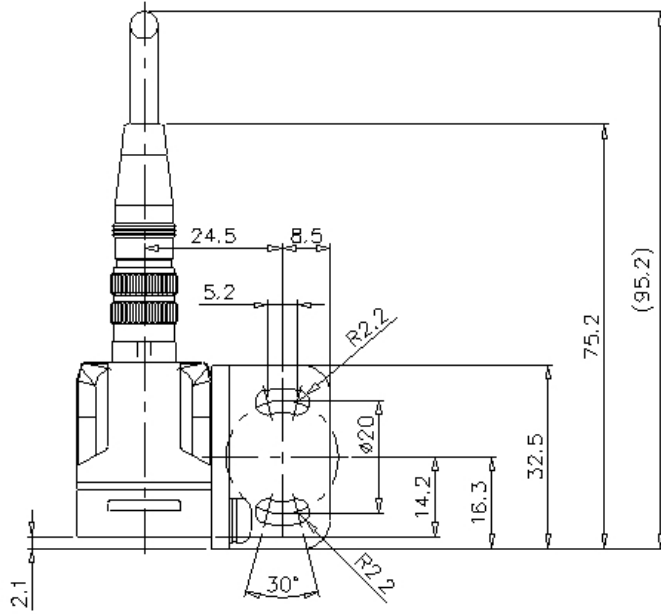
IV-G_CAMERA_OP-87903/87904/87905



| | A |
|----------|-------|
| OP-87903 | 2000 |
| OP-87904 | 5000 |
| OP-87905 | 10000 |

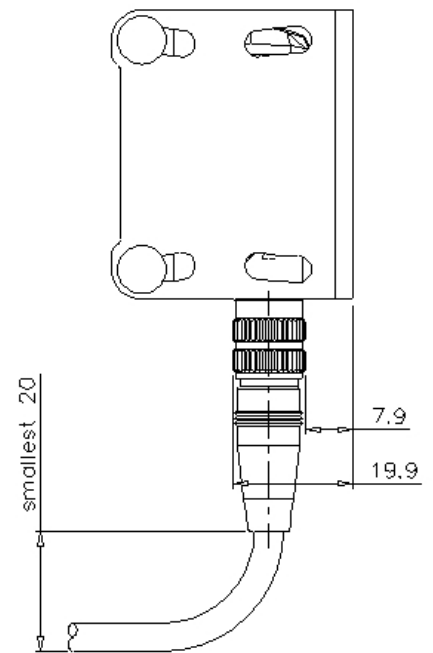
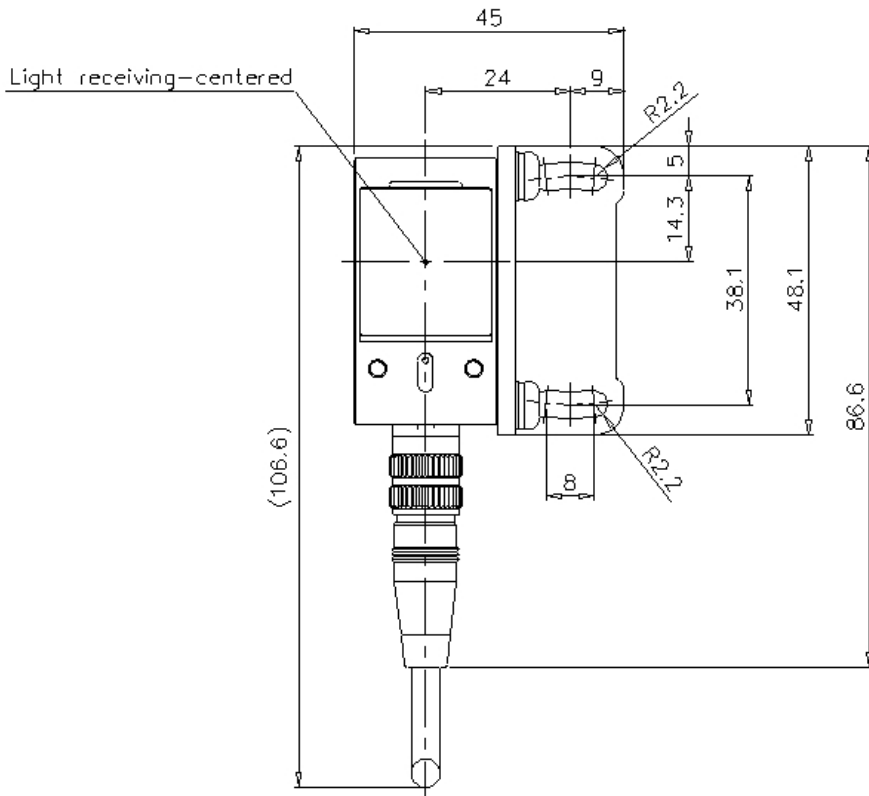
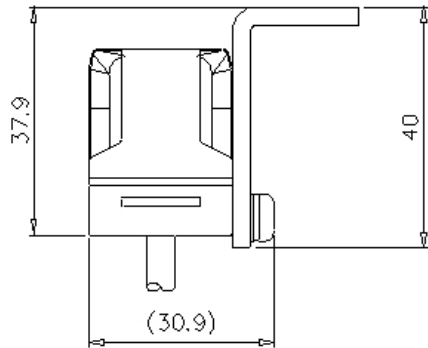
IV-G_CAMERA_OP-87908_dimension_01.gif

IV-G_CAMERA_OP-87908



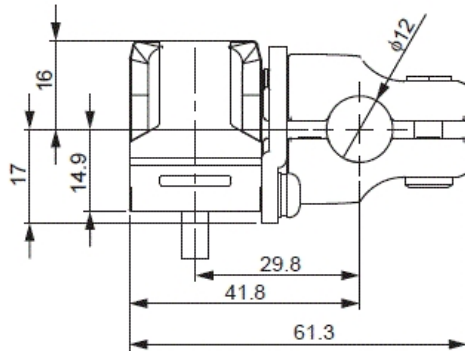
IV-G_CAMERA_OP-87909_dimension_01.gif

IV-G_CAMERA_OP-87909

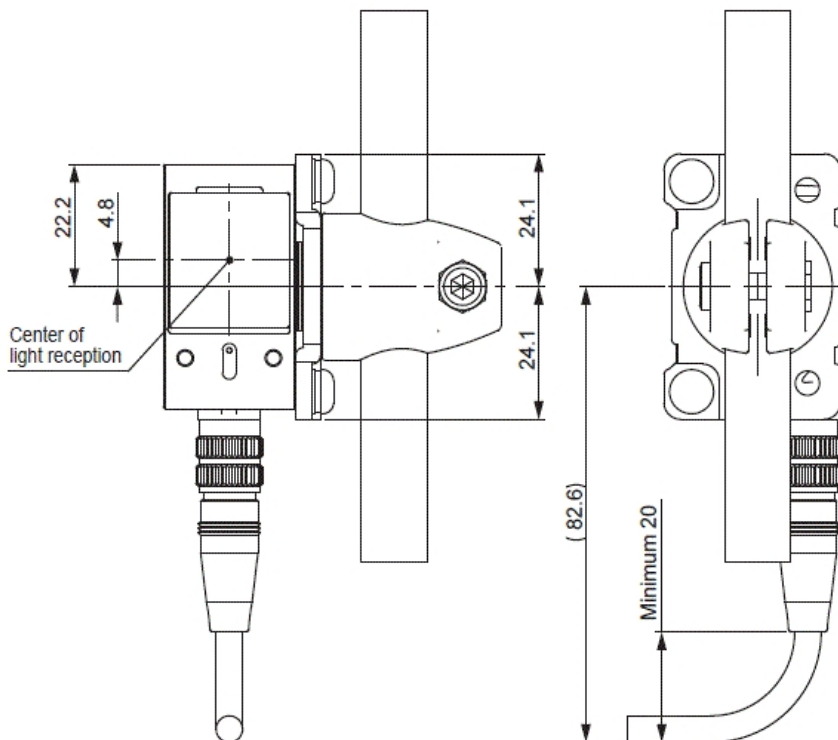


IV-G_CAMERA_OP-87910_dimension_01.gif

- With Adjustable bracket for IV-G series
(OP-87910)

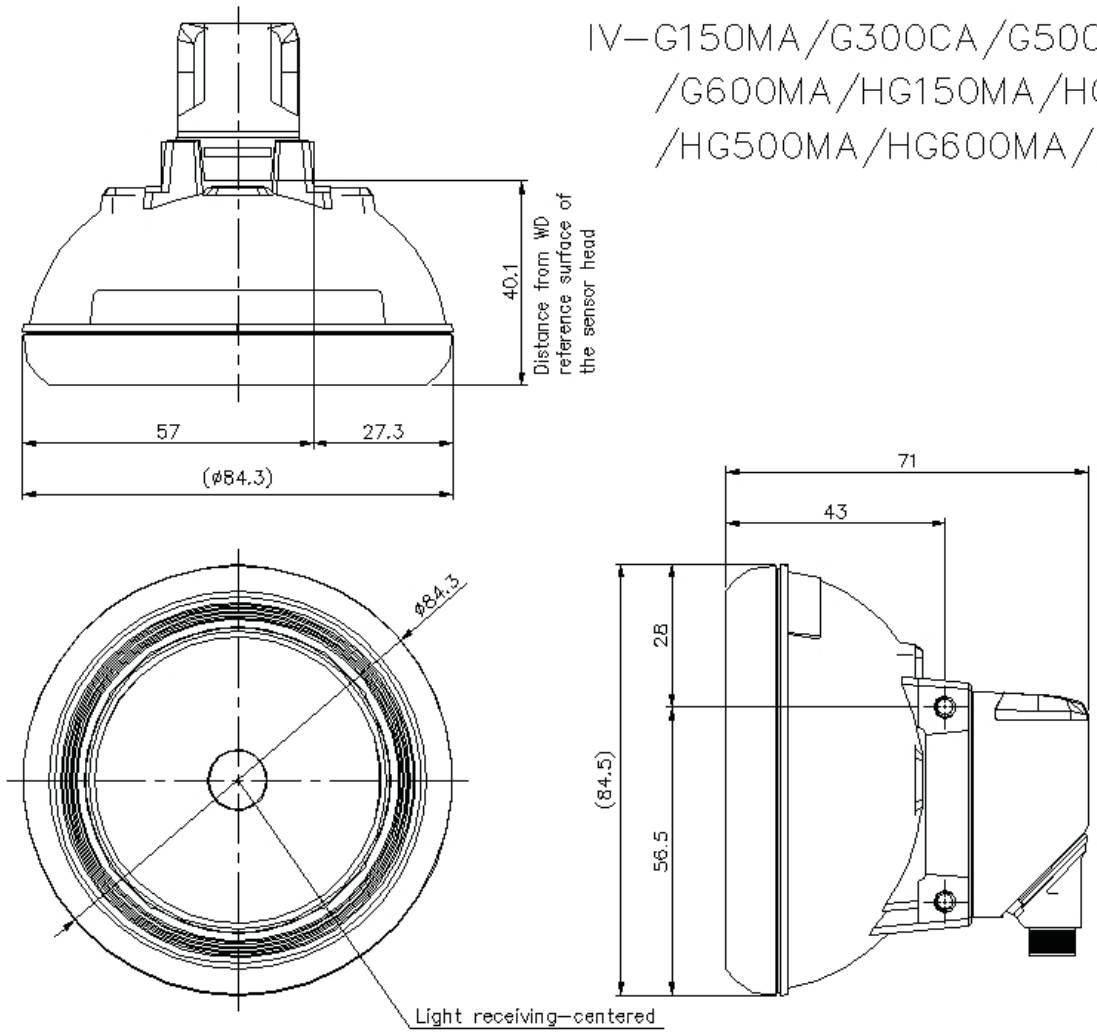


* Strut $\phi 12$ is not supplied with the OP-87910

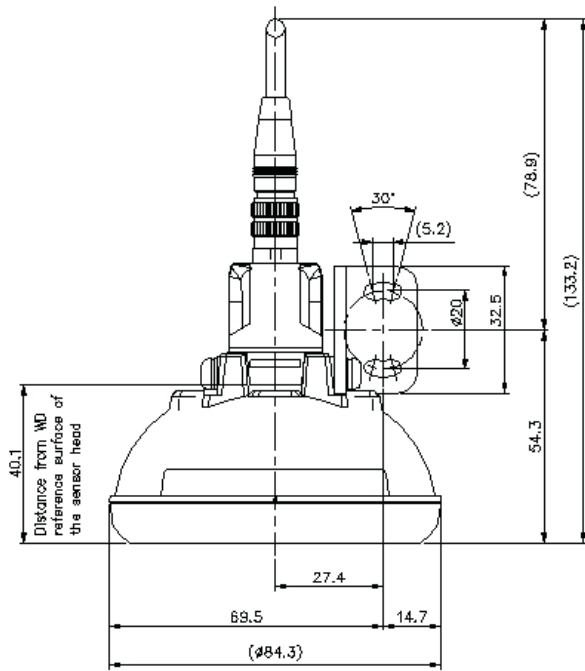


iv-g_hg_camera_gd05_dimension_01.gif

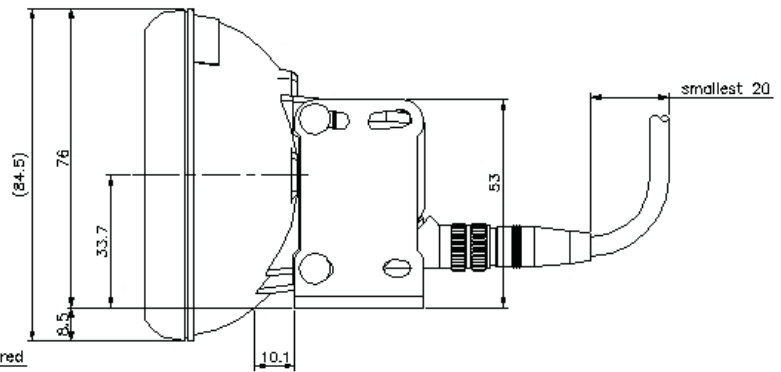
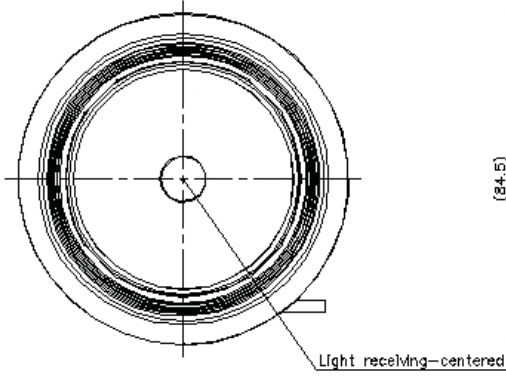
IV-G150MA/G300CA/G500CA/G500MA
 /G600MA/HG150MA/HG300CA/HG500CA
 /HG500MA/HG600MA/GD05



iv-g_hg_camera_gd05_op87908_dimension_01.gif

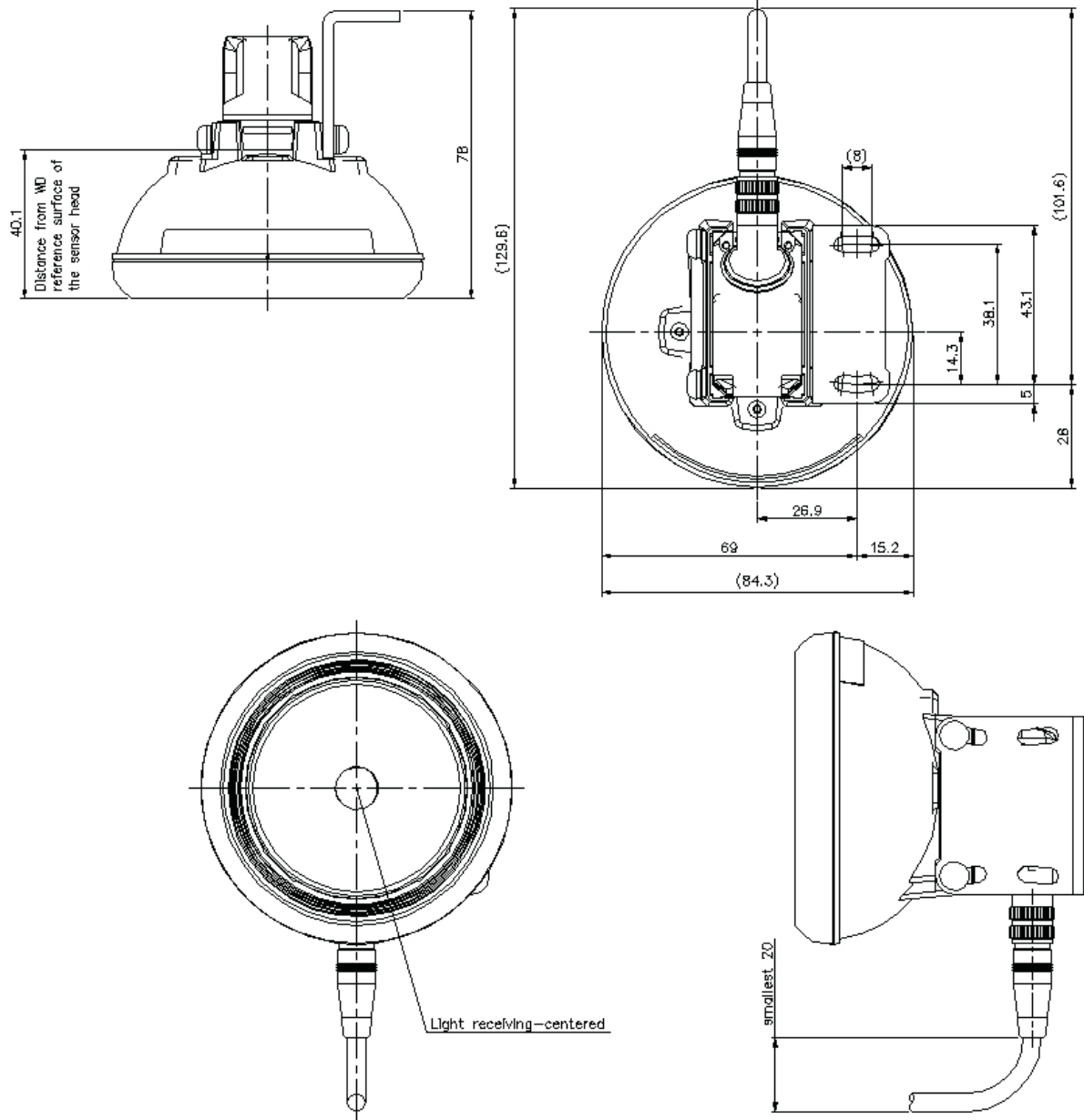


IV-G150MA/G300CA/G500CA/G500MA
 /G600MA/HG150MA/HG300CA/HG500CA
 /HG500MA/HG600MA/GD05/OP-87908



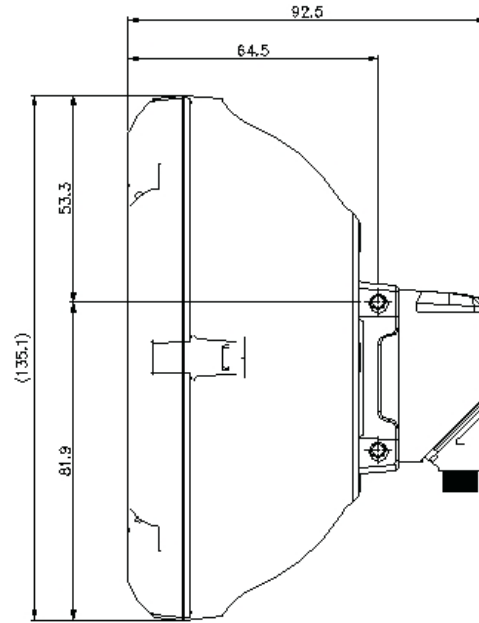
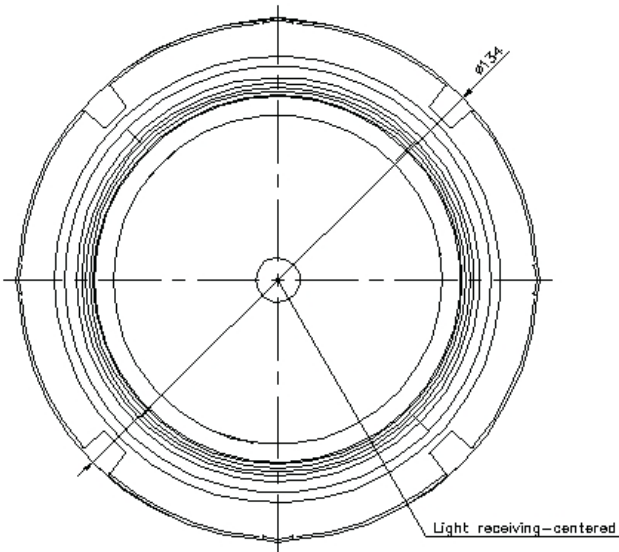
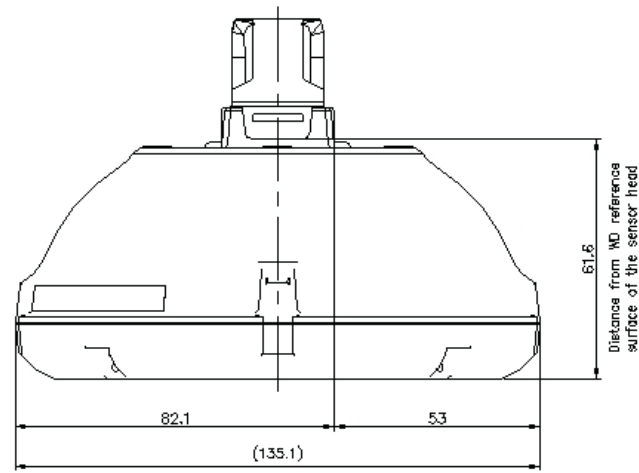
iv-g_hg_camera_gd05_op87909_dimension_01.gif

IV-G150MA/G300CA/G500CA/G500MA
 /G600MA/HG150MA/HG300CA/HG500CA
 /HG500MA/HG600MA/GD05/OP-87909

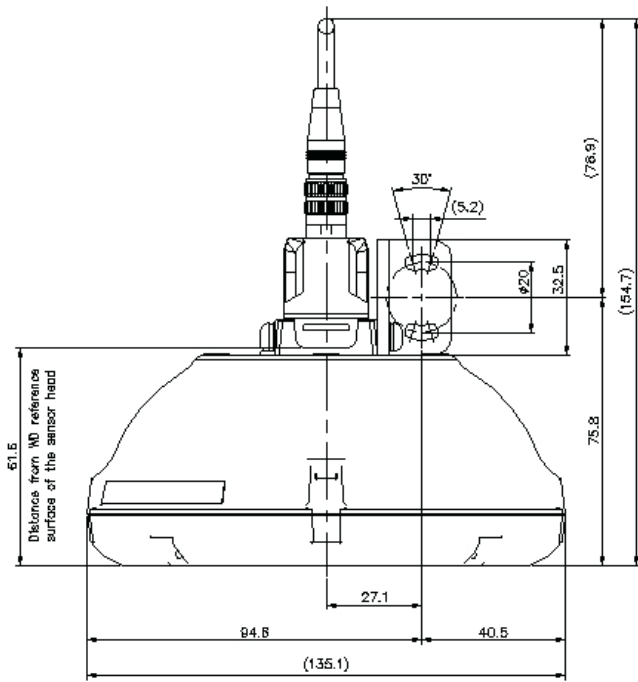


iv-g_hg_camera_gd10_dimension_01.gif

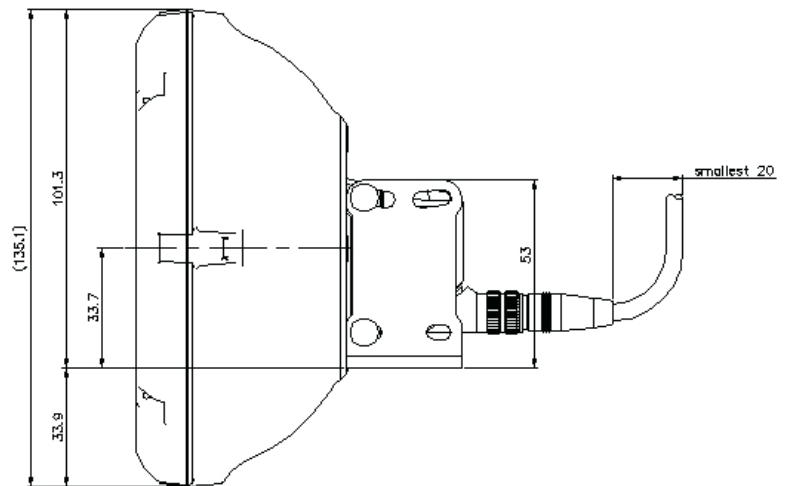
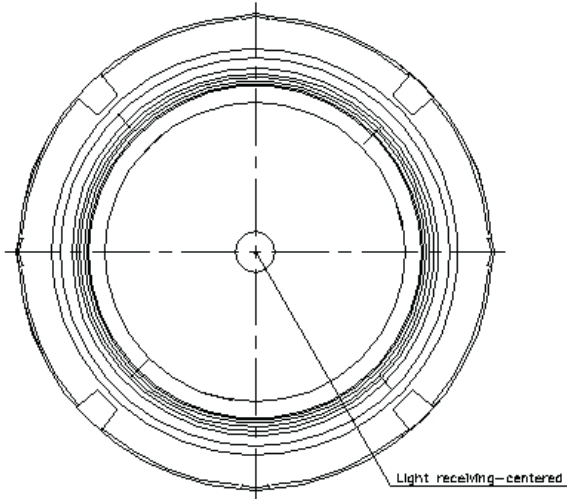
IV-G150MA/G300CA/G500CA/G500MA
 /G600MA/HG150MA/HG300CA/HG500CA
 /HG500MA/HG600MA/GD10



iv-g_hg_camera_gd10_op87908_dimension_01.gif

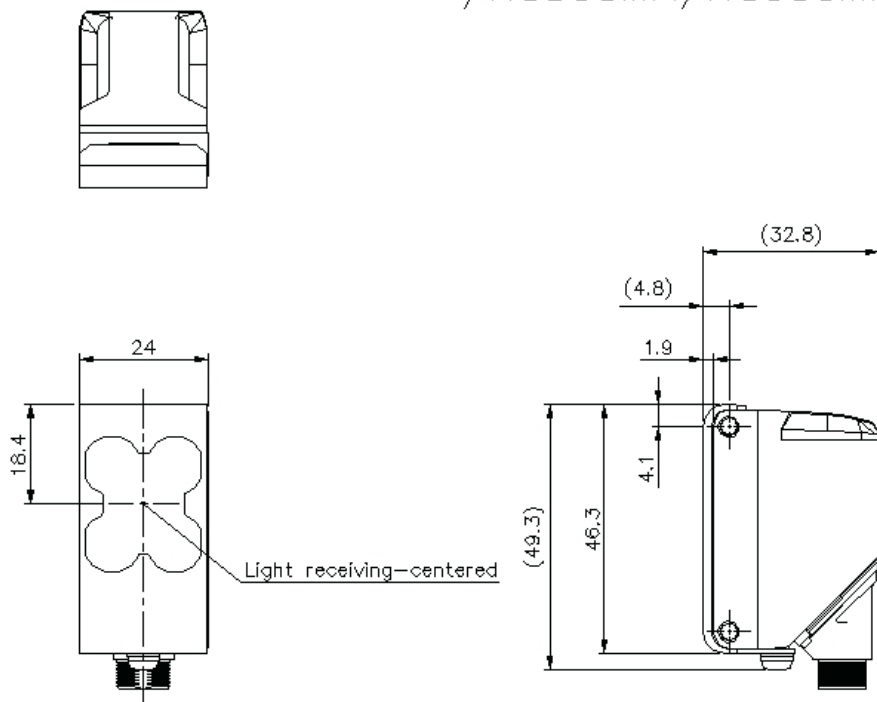


IV-G150MA/G300CA/G500CA/G500MA
 /G600MA/HG150MA/HG300CA/HG500CA
 /HG500MA/HG600MA/GD10/OP-87908



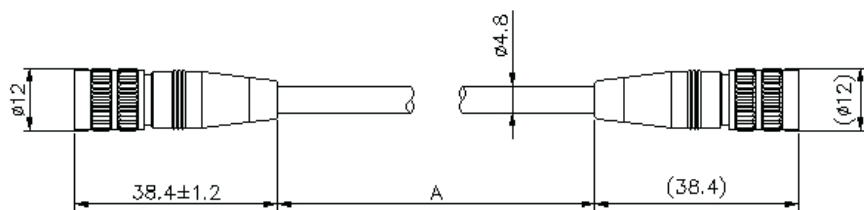
iv-g_hg_camera_op-87899-87901_dimension_01.gif

IV-G150MA/G300CA/G500CA/G500MA
 /G600MA/HG150MA/HG300CA/HG500CA
 /HG500MA/HG600MA/OP-87899/87900/87901



iv-g_hg_camera_op-87903-87905_dimension_01.gif

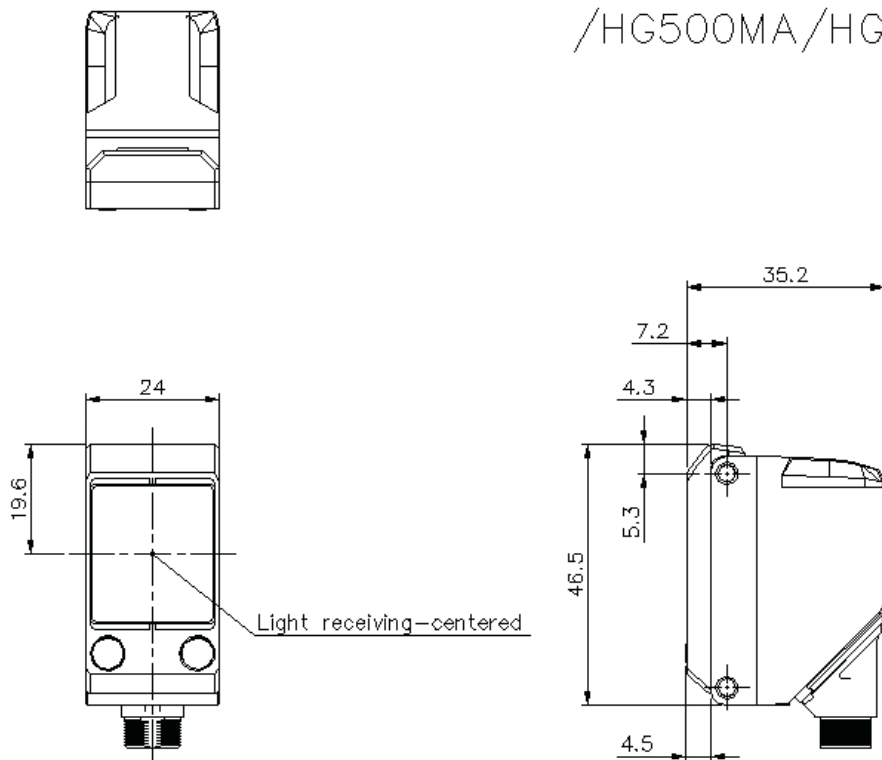
IV-G150MA/G300CA/G500CA/G500MA
 /G600MA/HG150MA/HG300CA/HG500CA
 /HG500MA/HG600MA/OP-87903/87904/87905



| | A |
|----------|-------|
| OP-87903 | 2000 |
| OP-87904 | 5000 |
| OP-87905 | 10000 |

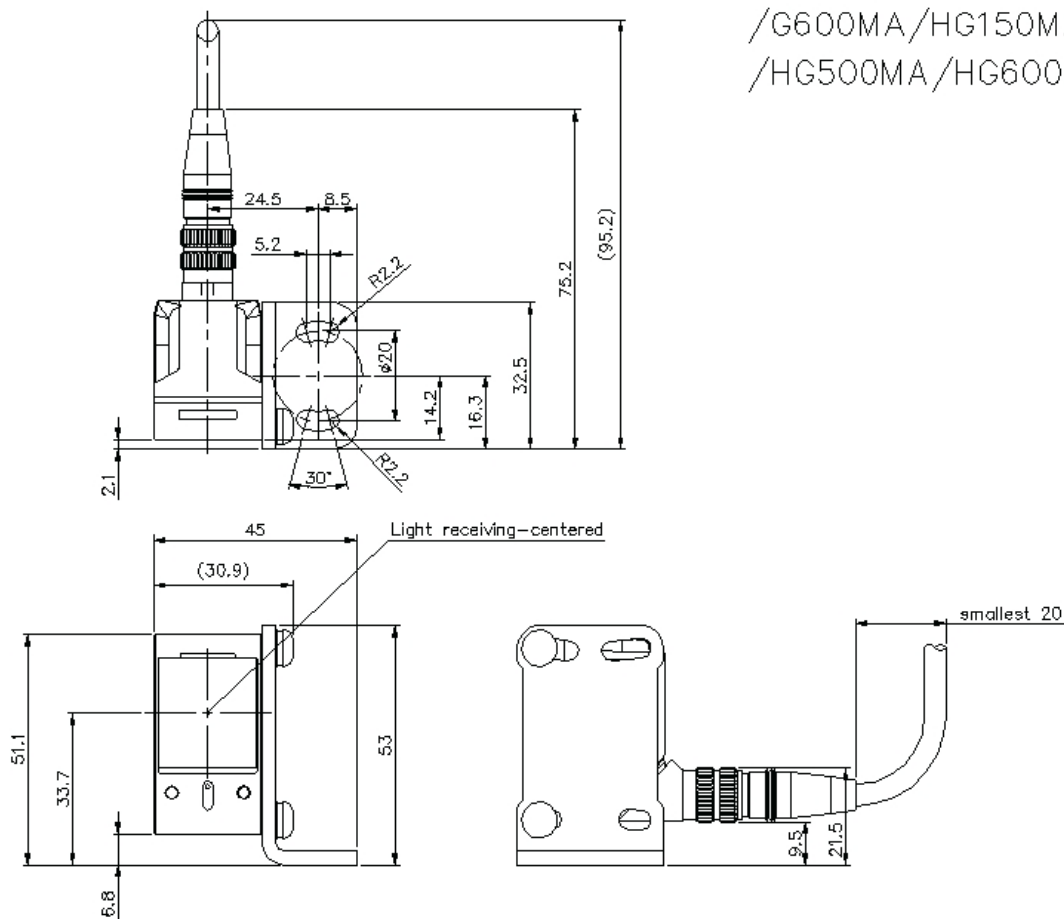
iv-g_hg_camera_op87902_dimension_01.gif

IV-G150MA/G300CA/G500CA/G500MA
 /G600MA/HG150MA/HG300CA/HG500CA
 /HG500MA/HG600MA/OP-87902



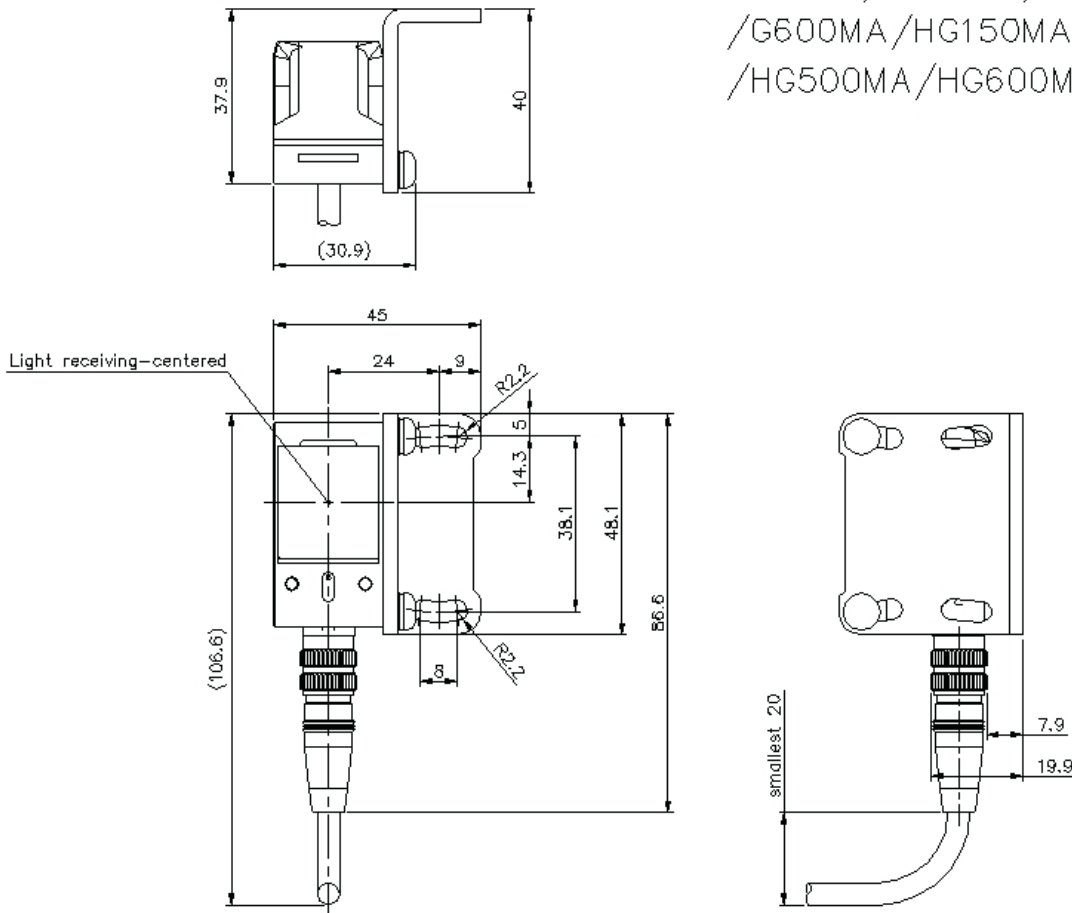
iv-g_hg_camera_op87908_dimension_01.gif

IV-G150MA/G300CA/G500CA/G500MA
 /G600MA/HG150MA/HG300CA/HG500CA
 /HG500MA/HG600MA/OP-87908



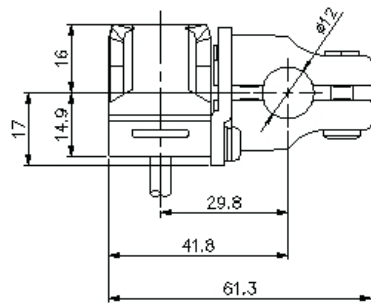
iv-g_hg_camera_op87909_dimension_01.gif

IV-G150MA/G300CA/G500CA/G500MA
 /G600MA/HG150MA/HG300CA/HG500CA
 /HG500MA/HG600MA/OP-87909

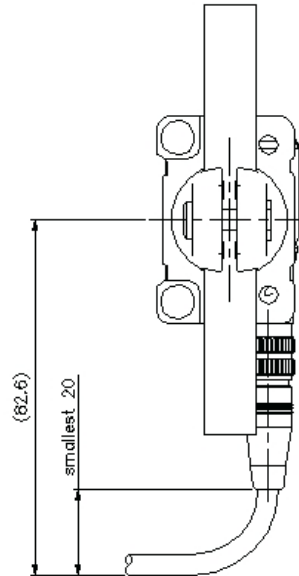
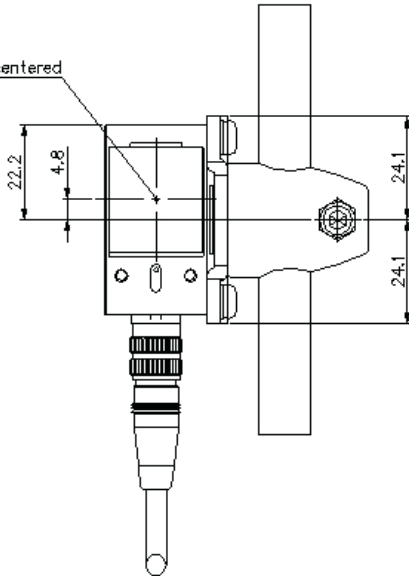


iv-g_hg_camera_op87910_dimension_01.gif

IV-G150MA/G300CA/G500CA/G500MA
 /G600MA/HG150MA/HG300CA/HG500CA
 /HG500MA/HG600MA/OP-87910



Light receiving-centered



A support pipe of $\varnothing 12$ is not included in OP-87910.