



IV-G500CA

Capteur, Modèle standard, Couleur, Modèle à Modèle à mise au point automatique



Spécifications

Modèle	IV-G500CA	
Type	Modèle standard	
Distance d'installation	20 à 500 mm	
Champ de vision	Distance d'installation de 20 mm: 10 (H) x 7,5 (V) mm jusqu'à Distance d'installation de 500 mm: 200 (H) x 150 (V) mm	
Capteur d'image	Type	CMOS couleur 1/3"
	Pixel	752 (H) x 480 (V)
Mise au point	Auto ^{*1}	
Temps d'exposition	1/10 à 1/50,000	
Éclairages	Source lumineuse	LED blanche
	Technique d'éclairage	Éclairage à impulsion/à courant continu (au choix)
Voyants	2 (mêmes spécifications pour les deux voyants)	
Résistance à l'environnement	Classe du boîtier	IP67 ^{*2}
	Température ambiante	De 0 à +50 °C (Pas de gel)
	Humidité relative	35 à 85 % HR (Sans condensation)
	Résistance aux vibrations	De 10 à 55 Hz, Double amplitude de 1,5 mm, 2 heures dans chacune des directions X, Y et Z ^{*3}
	Résistance aux chocs	500 m/s ² , 6 fois dans chaque direction (X, Y et Z) ^{*3}
Matériau	Boîtier de l'unité principale: zinc moulé sous pression, Capot avant: acrylique (revêtement dur), Cache du voyant et fonctionnement: TPU	
Poids	Environ 75 g	

^{*1} La position de mise au point peut être réglée automatiquement lors de l'installation. Elle est désactivée pendant le fonctionnement. La position de mise au point peut être enregistrée au moyen d'un programme.

^{*2} Excepté en cas d'utilisation du filtre de polarisation (OP-87899/OP-87900/OP-87901/OP-87902).

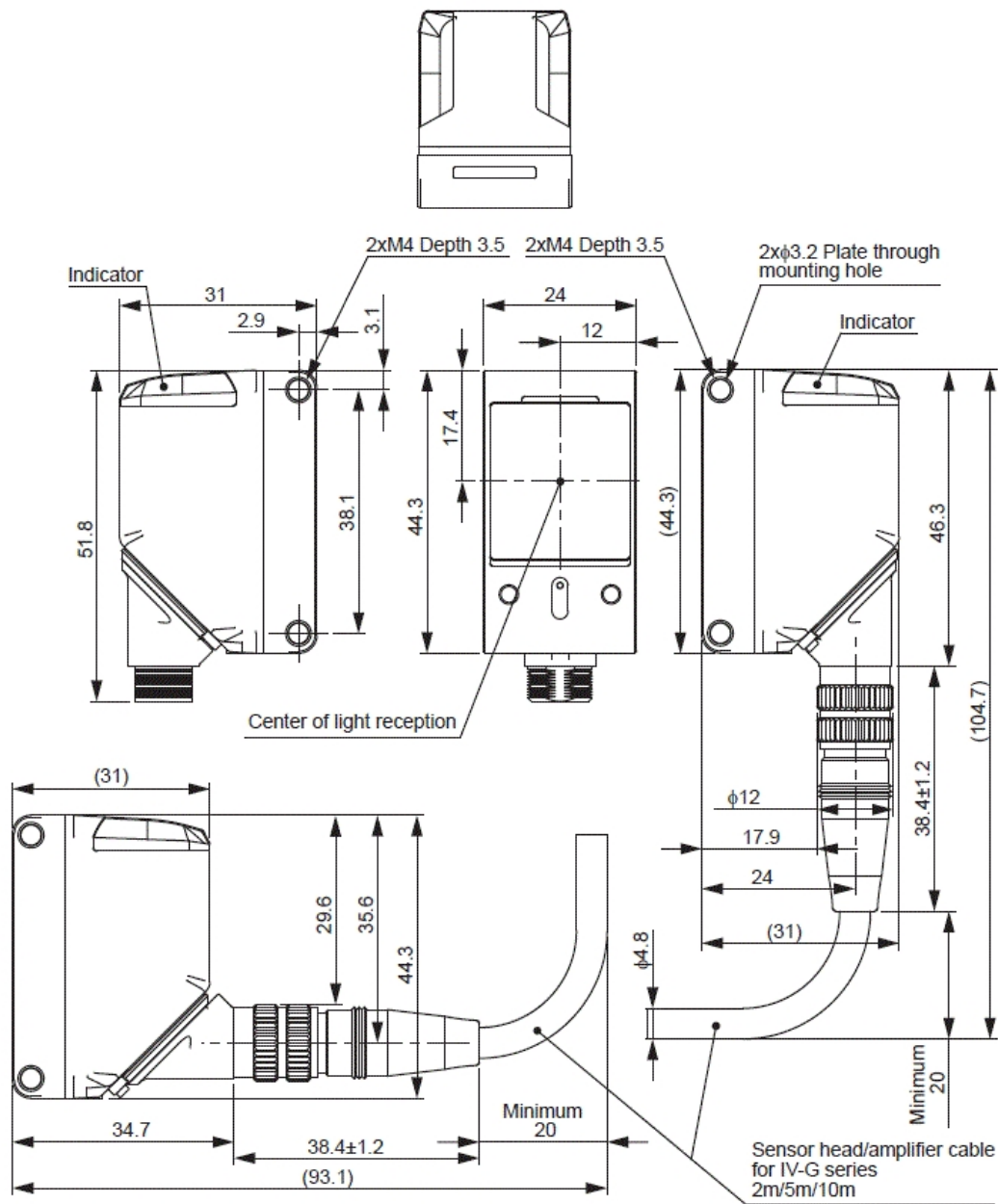
^{*3} Excepté en cas d'utilisation d'une fixation pour éclairage dôme pour série IV-G (IV-GD05/IV-GD10).

Dimensions

* En cas de difficultés à lire le texte, consultez les données CAO ou le manuel.

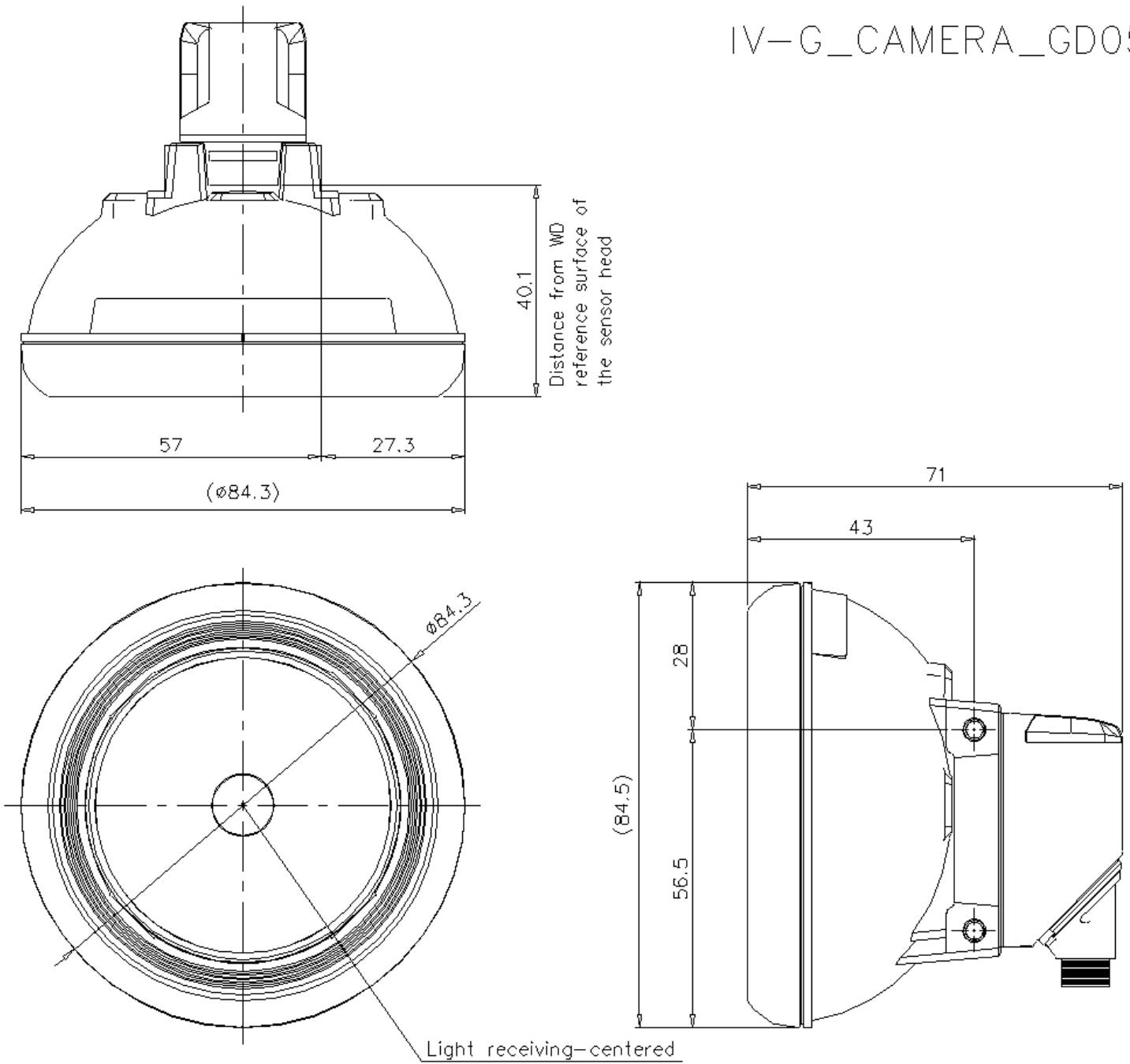
IV-G_CAMERA_dimension_01.gif

- IV-G500CA
- IV-G500MA
- IV-G150MA
- IV-G300CA
- IV-G600MA



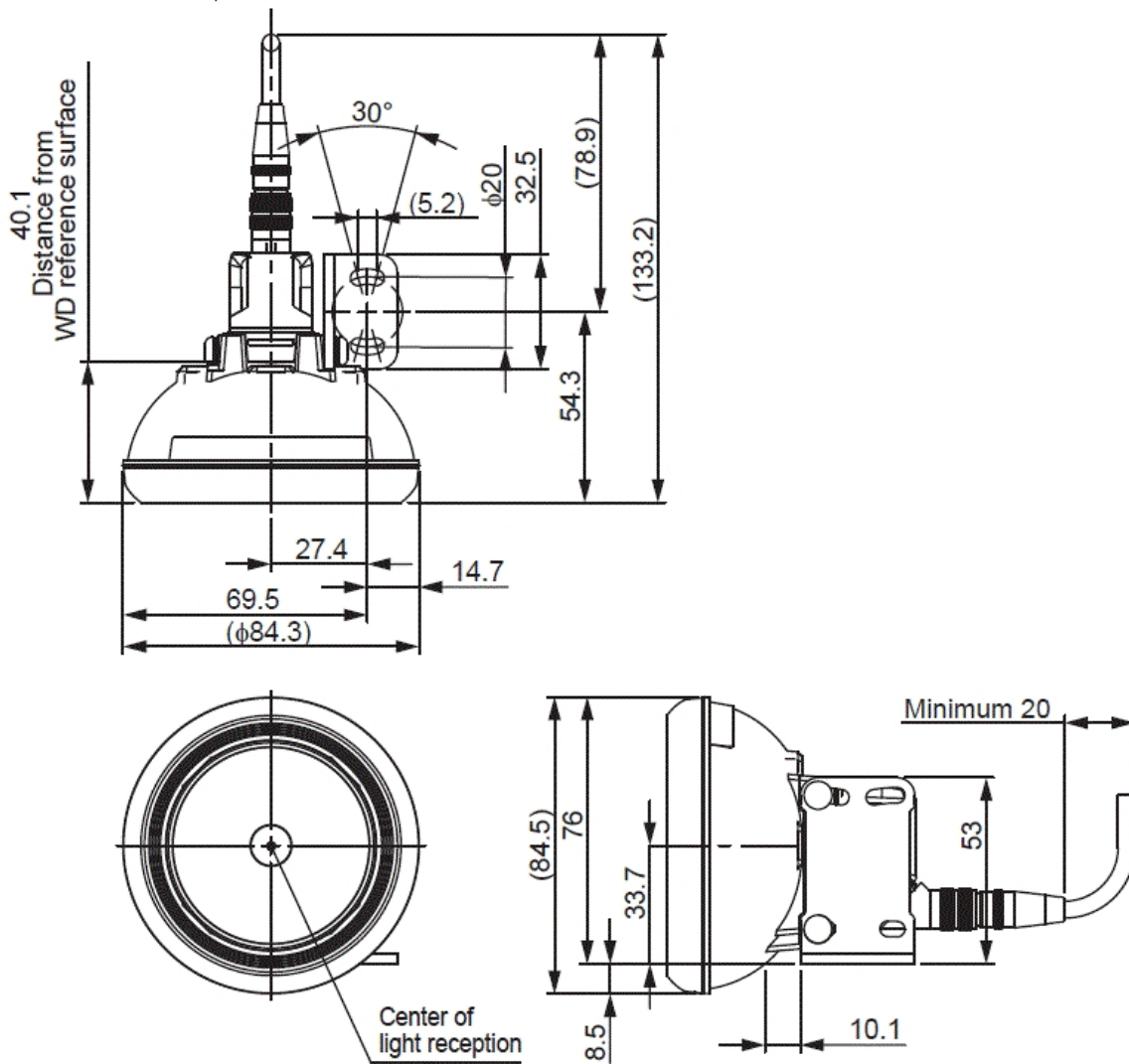
IV-G_CAMERA_GD05_dimension_01.gif

IV-G_CAMERA_GD05



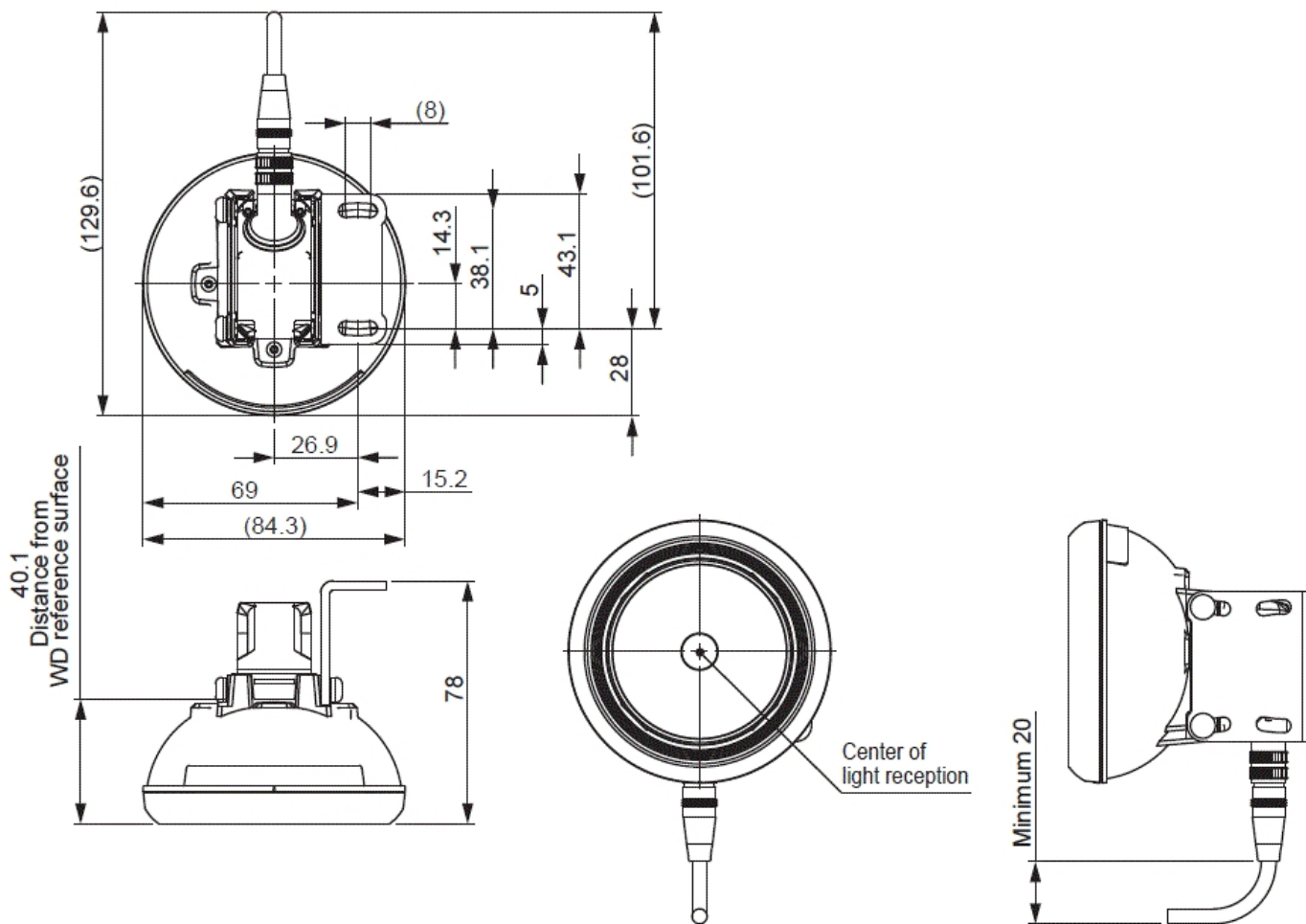
IV-G_CAMERA_GD05_OP-87908_dimension_01.gif

- Dome attachment for IV-G series (IV-GD05)
with Vertical mounting bracket for IV-G series (OP-87908)



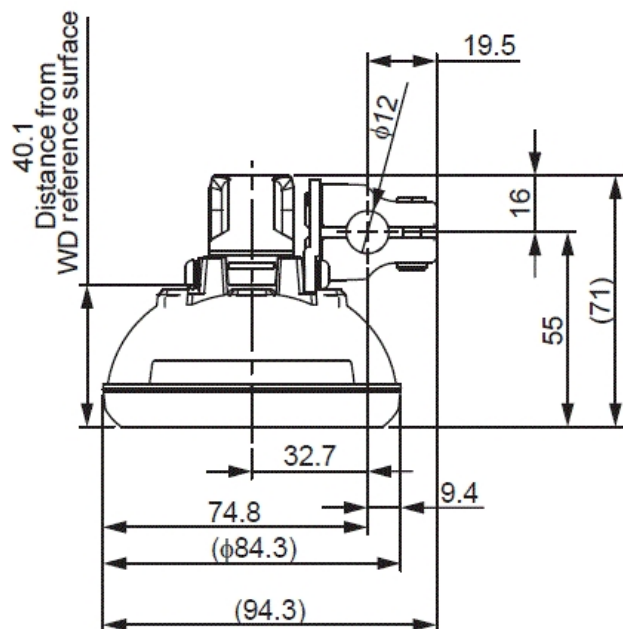
IV-G_CAMERA_GD05_OP-87909_dimension_01.gif

- Dome attachment for IV-G series (IV-GD05)
with Transverse mounting bracket for IV-G series (OP-87909)

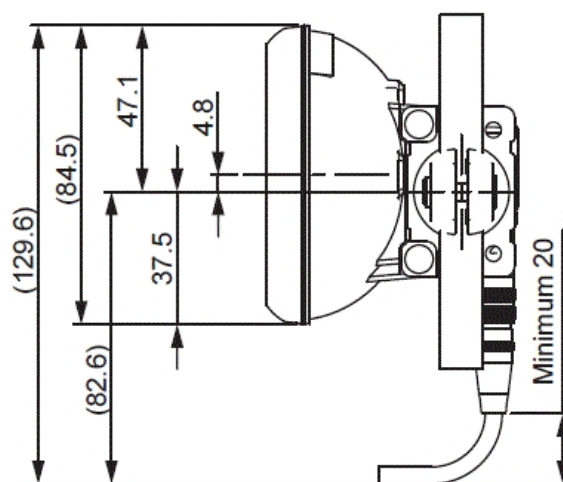
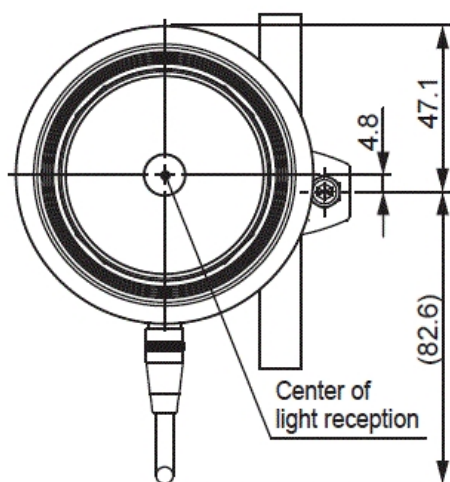


IV-G_CAMERA_GD05_OP-87910_dimension_01.gif

• Dome attachment for IV-G series (IV-GD05)
with Adjustable bracket for IV-G series (OP-87910)

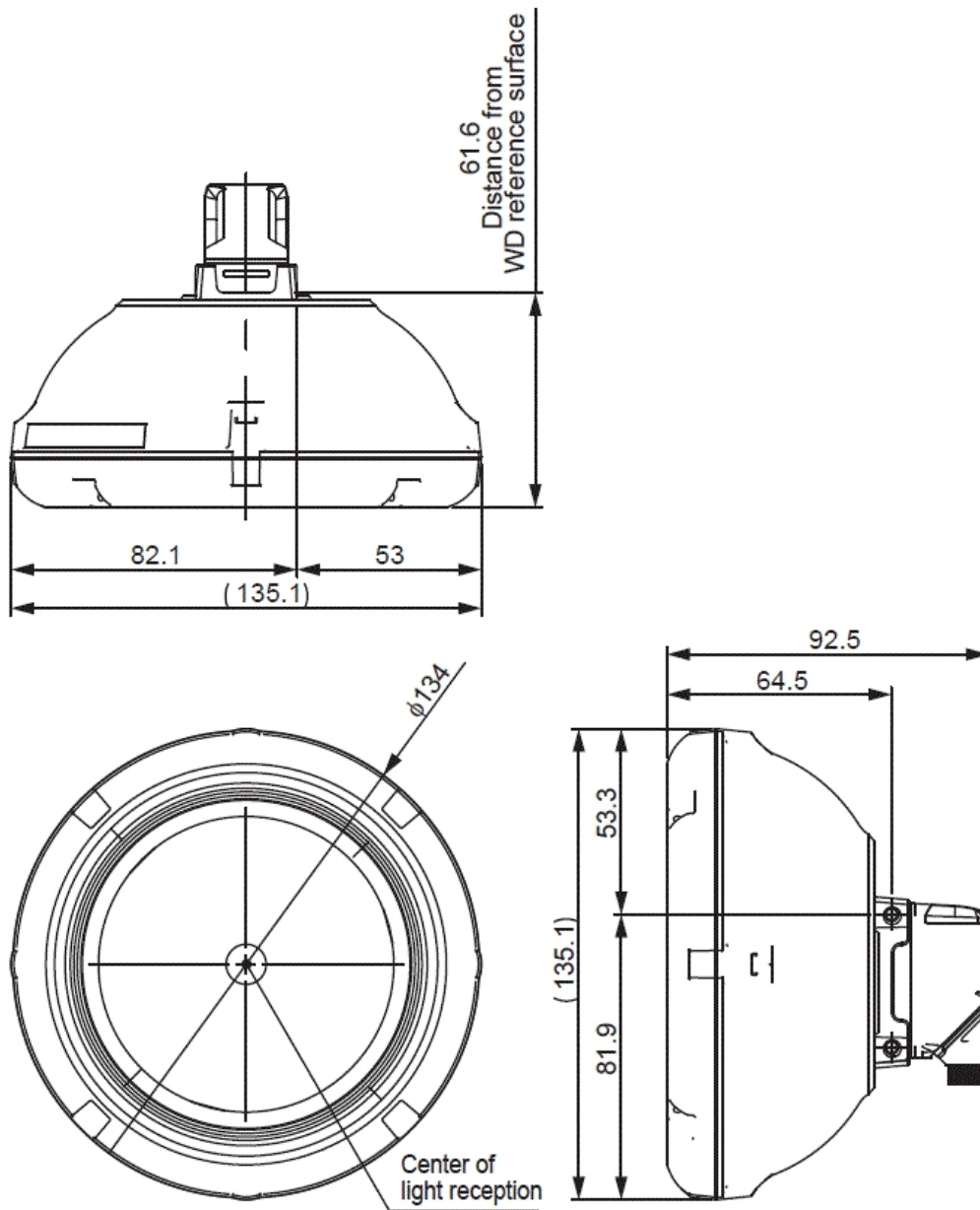


* Strut φ12 is not supplied with the OP-87910



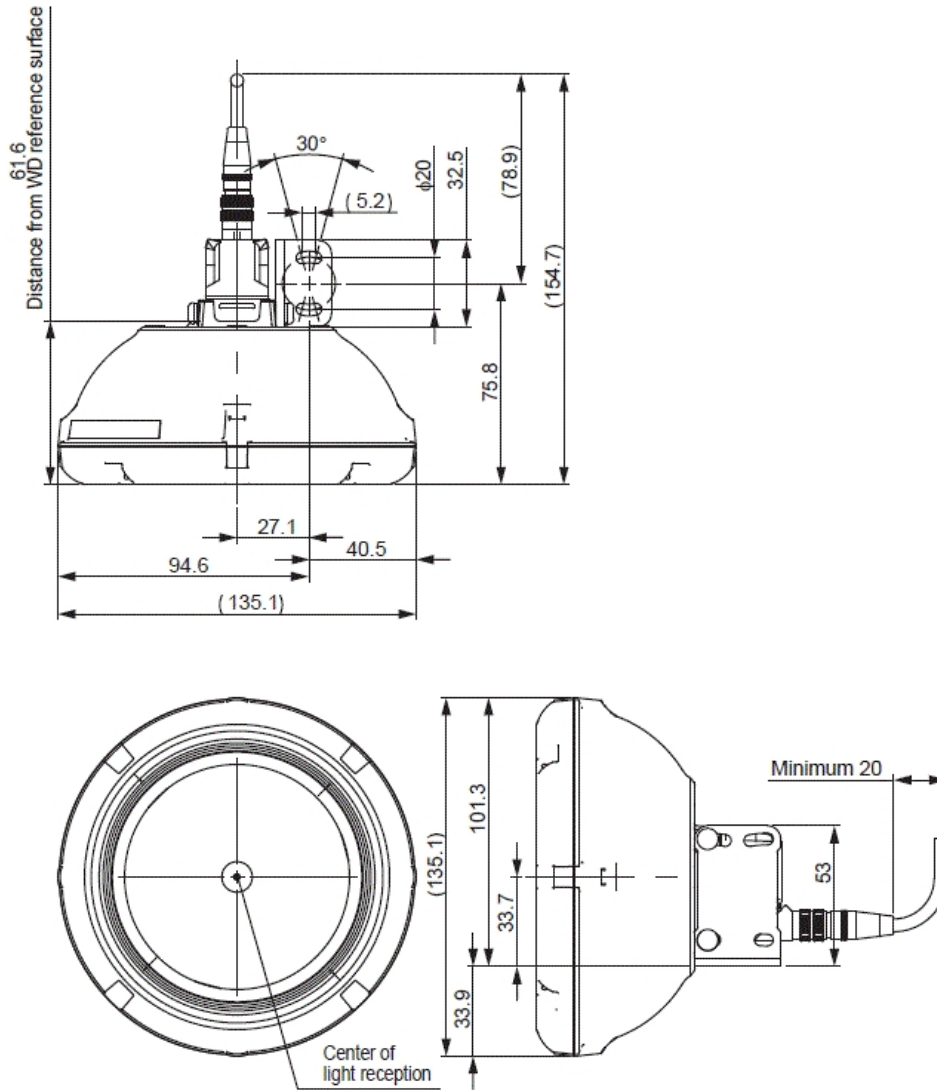
IV-G_CAMERA_GD10_dimension_01.gif

• With Dome attachment for IV-G series (IV-GD10)



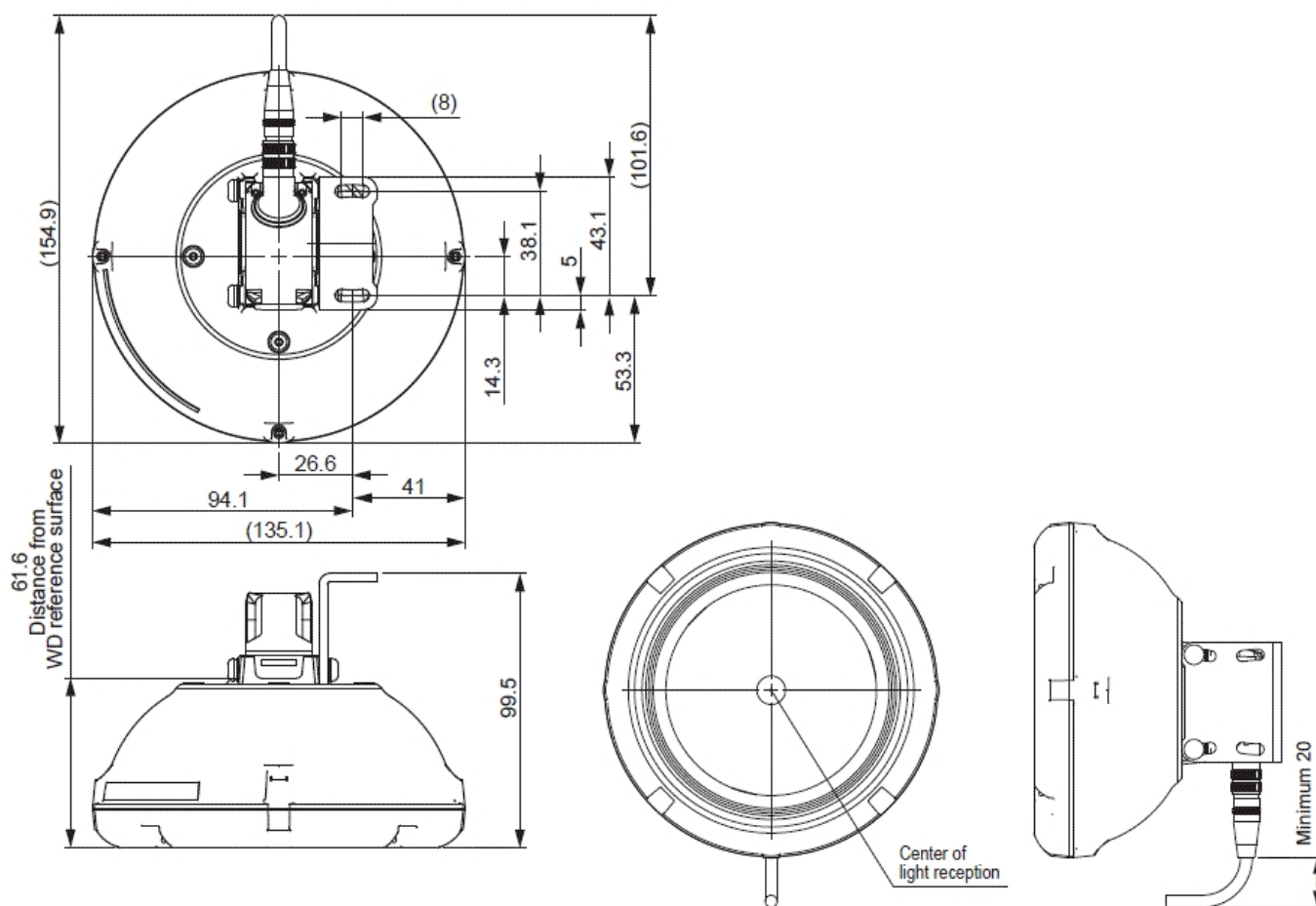
IV-G_CAMERA_GD10_OP-87908_dimension_01.gif

- Dome attachment for IV-G series (IV-GD10) with Vertical mounting bracket for IV-G series (OP-87908)



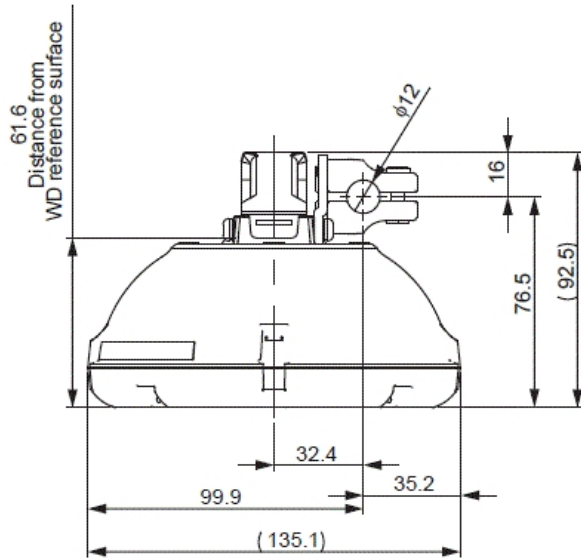
IV-G_CAMERA_GD10_OP-87909_dimension_01.gif

- Dome attachment for IV-G series (IV-GD10) with Transverse mounting bracket for IV-G series (OP-87909)

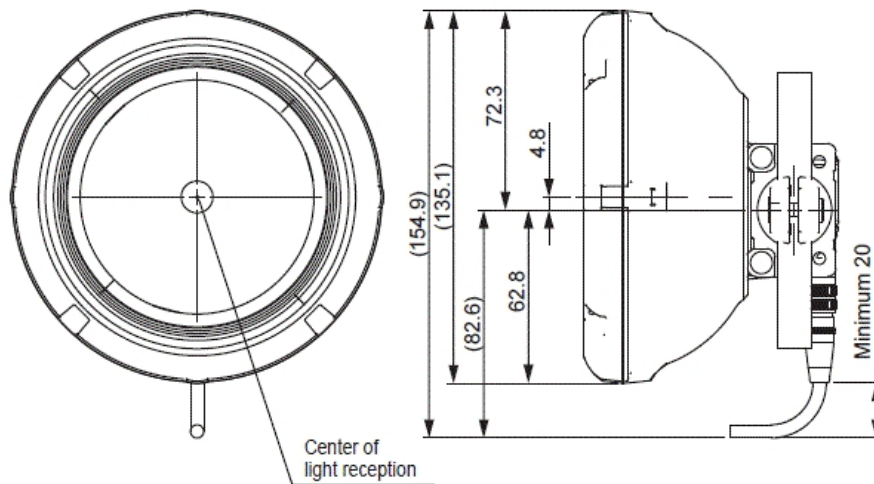


IV-G_CAMERA_GD10_OP-87910_dimension_01.gif

• Dome attachment for IV-G series (IV-GD10) with
Adjustable bracket for IV-G series (OP-87910)

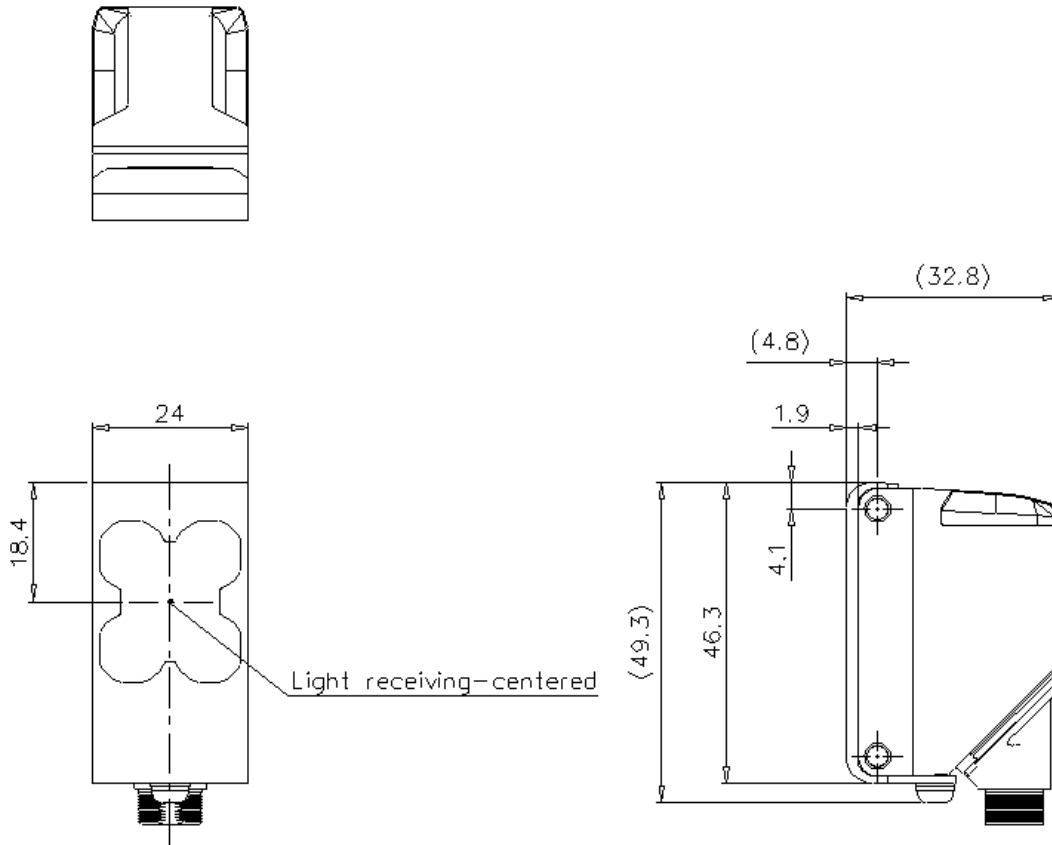


* Strut $\phi 12$ is not supplied with the OP-87910



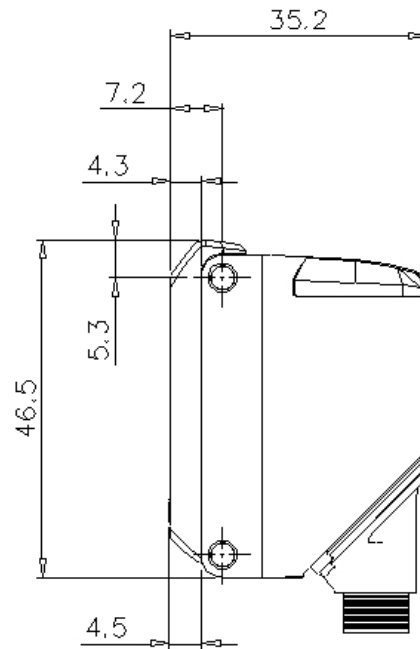
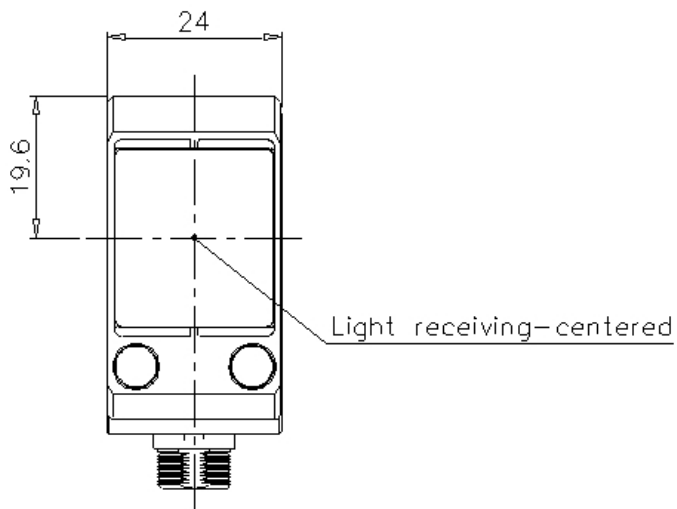
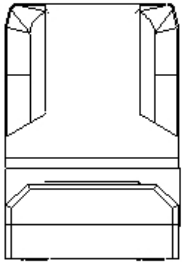
IV-G_CAMERA_OP-87899_87900_87901_dimension_01.gif

IV-G_CAMERA_OP-87899/87900/87901



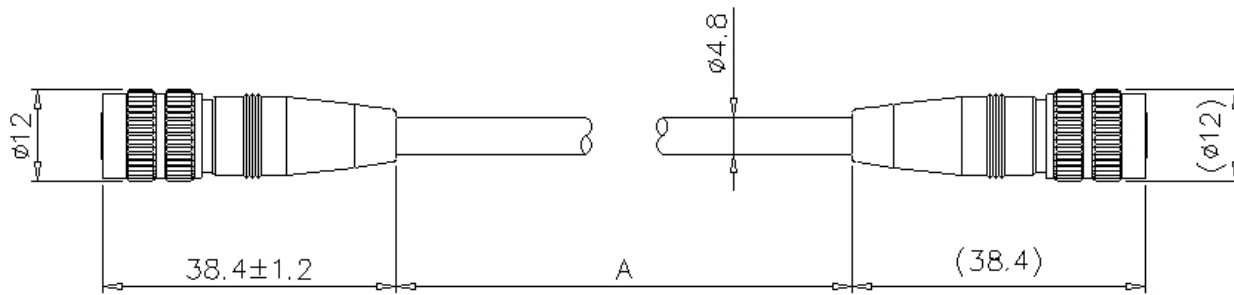
IV-G_CAMERA_OP-87902_dimension_01.gif

IV-G_CAMERA_OP-87902



IV-G_CAMERA_OP-87903_87904_87905_dimension_01.gif

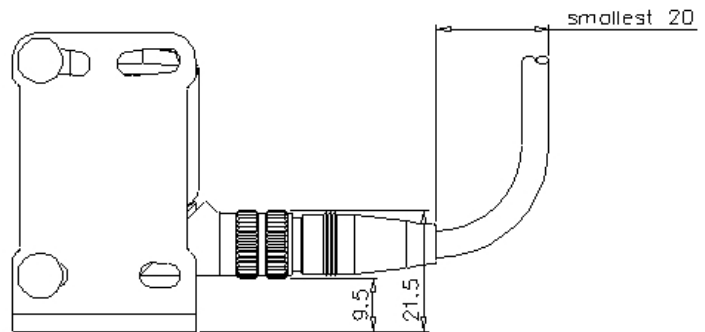
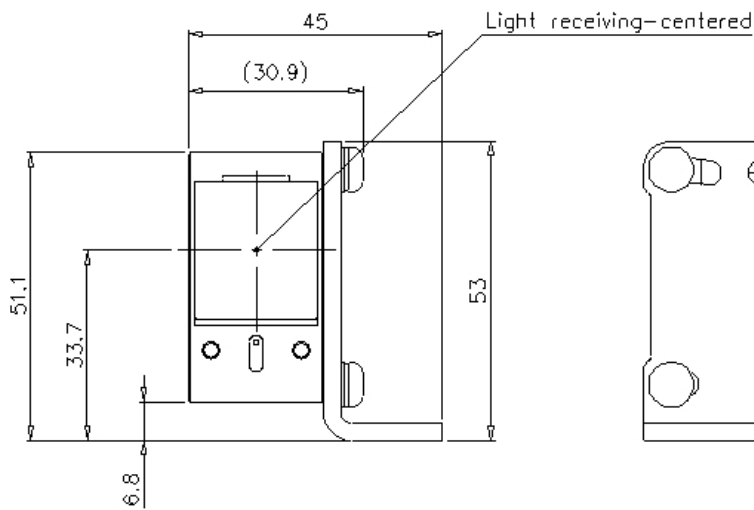
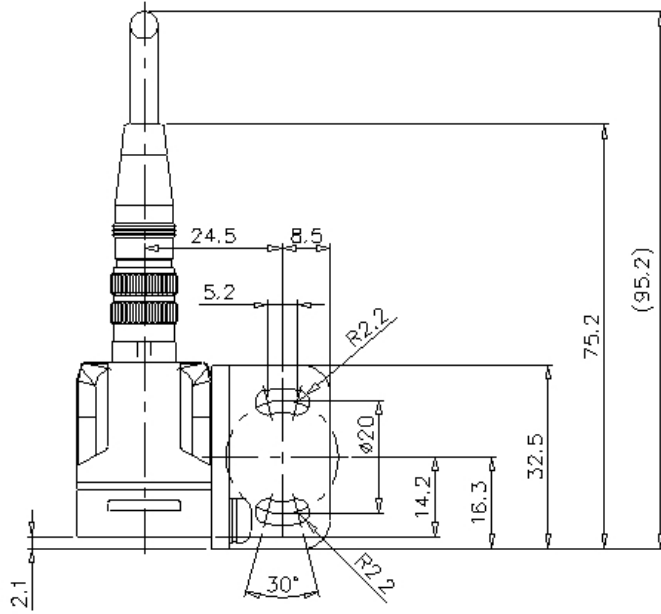
IV-G_CAMERA_OP-87903/87904/87905



	A
OP-87903	2000
OP-87904	5000
OP-87905	10000

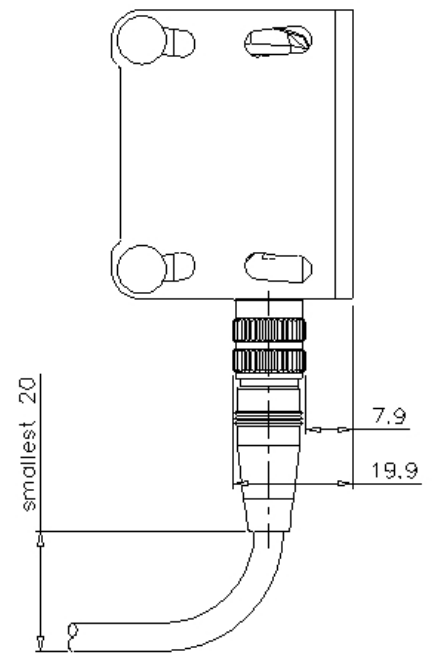
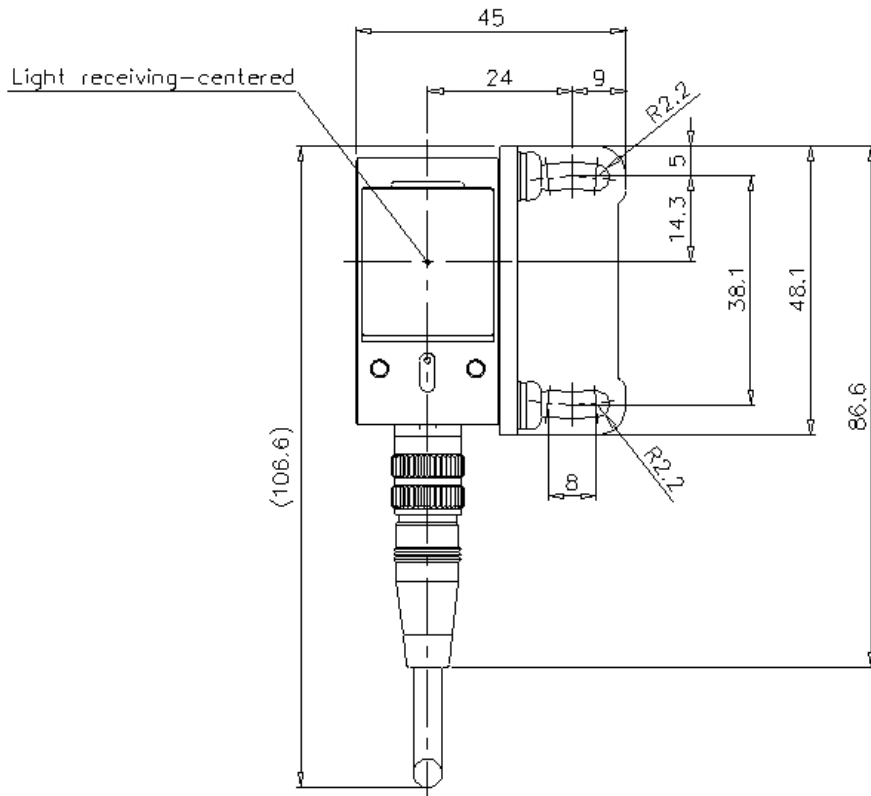
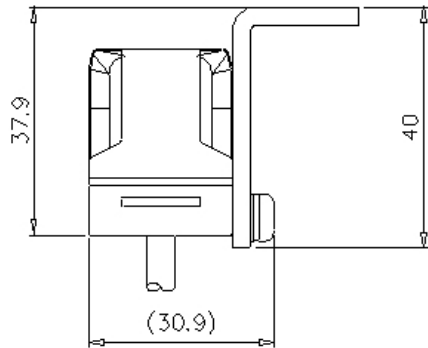
IV-G_CAMERA_OP-87908_dimension_01.gif

IV-G_CAMERA_OP-87908



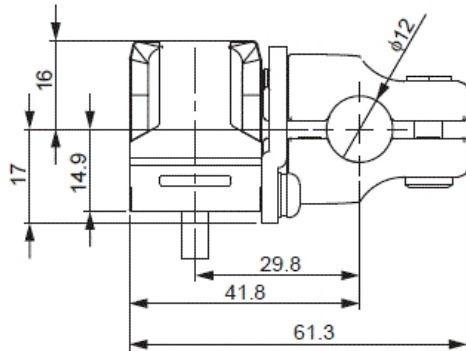
IV-G_CAMERA_OP-87909_dimension_01.gif

IV-G_CAMERA_OP-87909

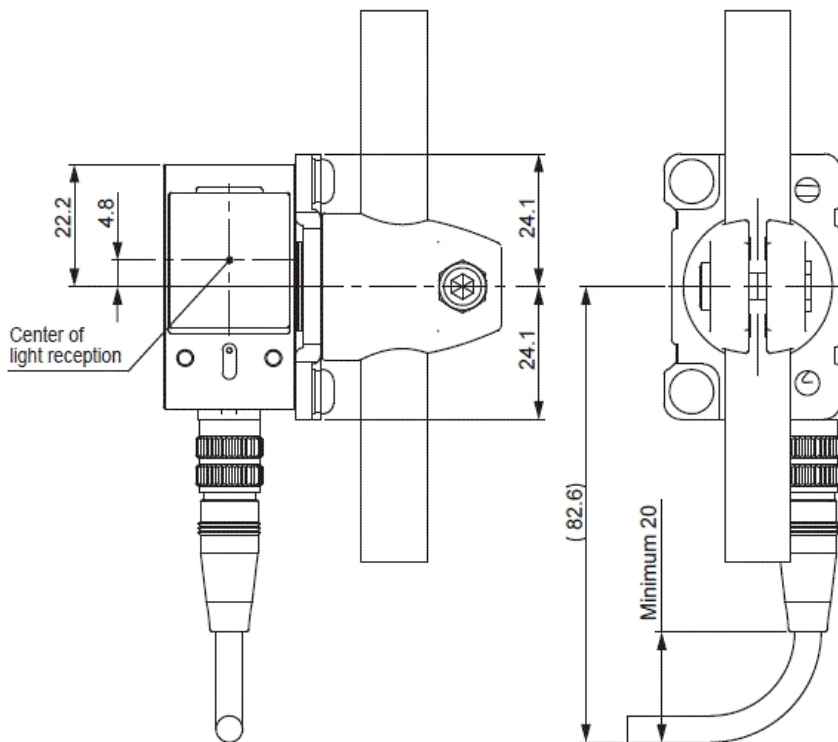


IV-G_CAMERA_OP-87910_dimension_01.gif

- With Adjustable bracket for IV-G series
(OP-87910)

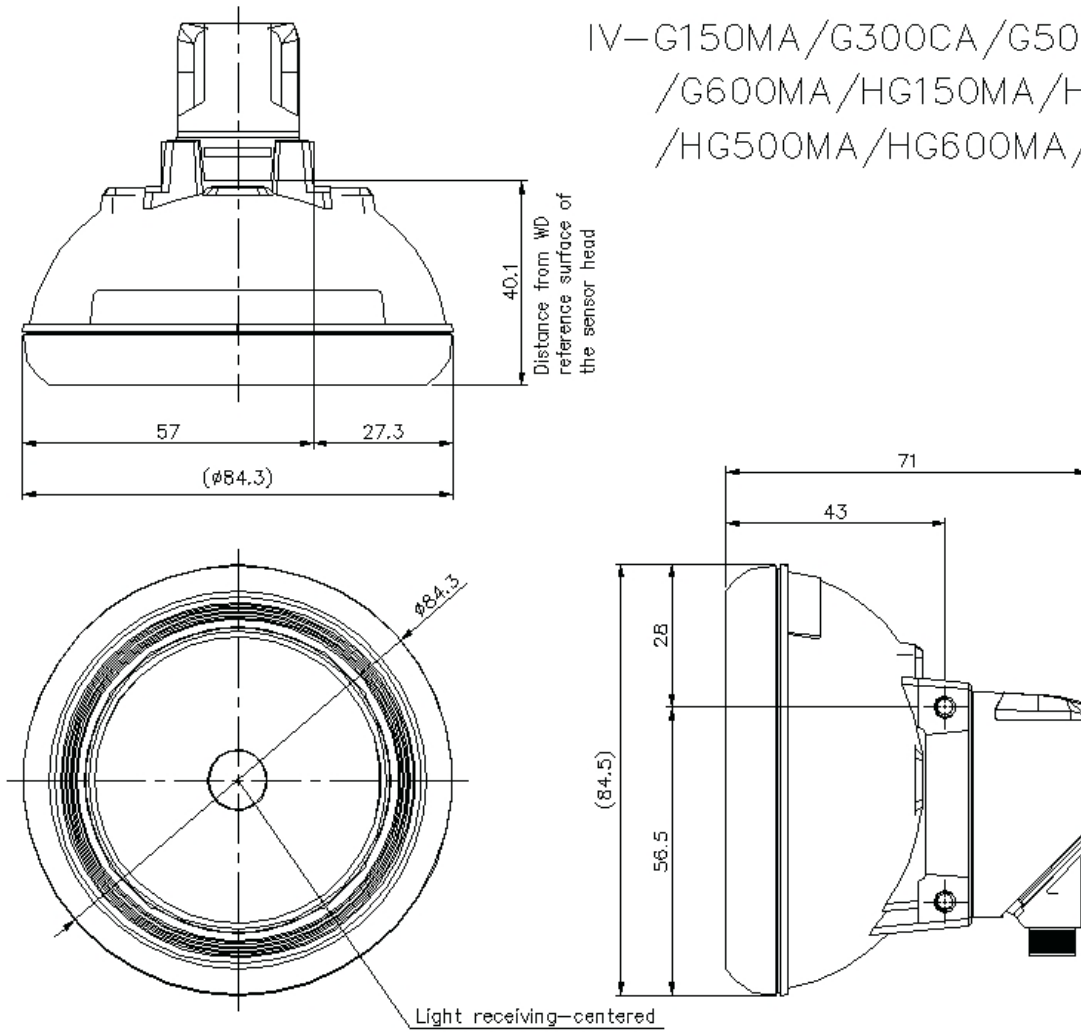


* Strut $\phi 12$ is not supplied with the OP-87910



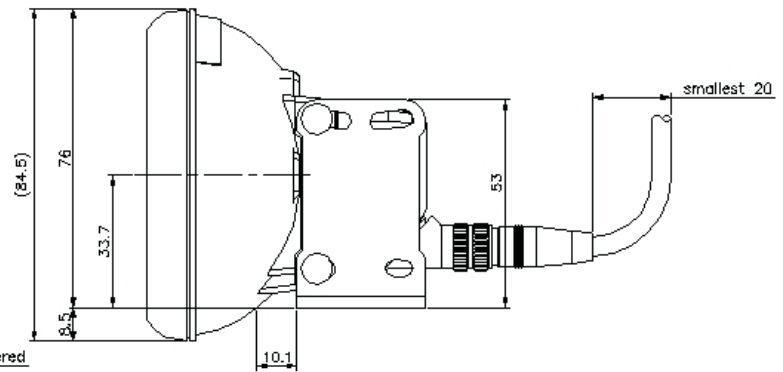
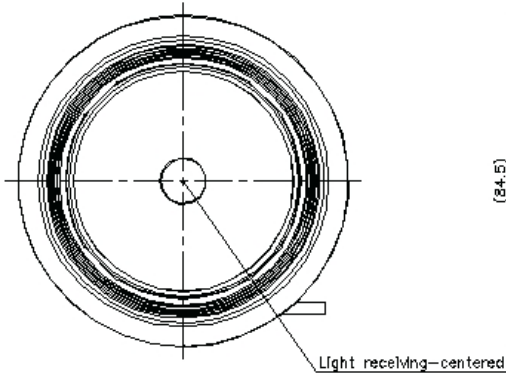
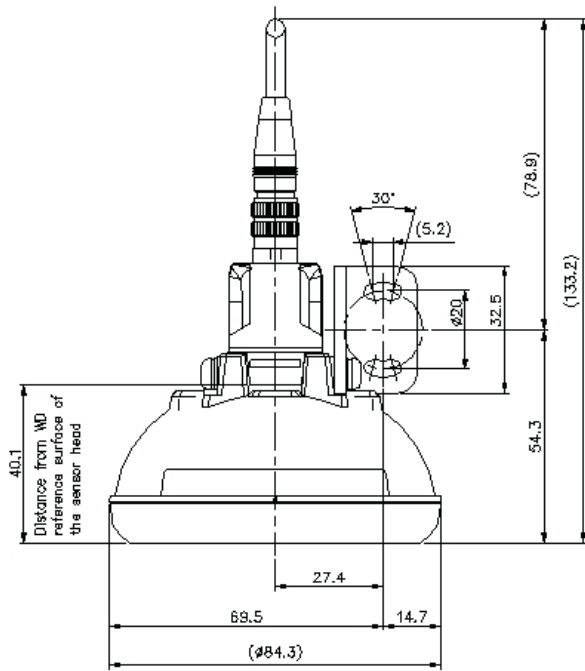
iv-g_hg_camera_gd05_dimension_01.gif

IV-G150MA/G300CA/G500CA/G500MA
 /G600MA/HG150MA/HG300CA/HG500CA
 /HG500MA/HG600MA/GD05



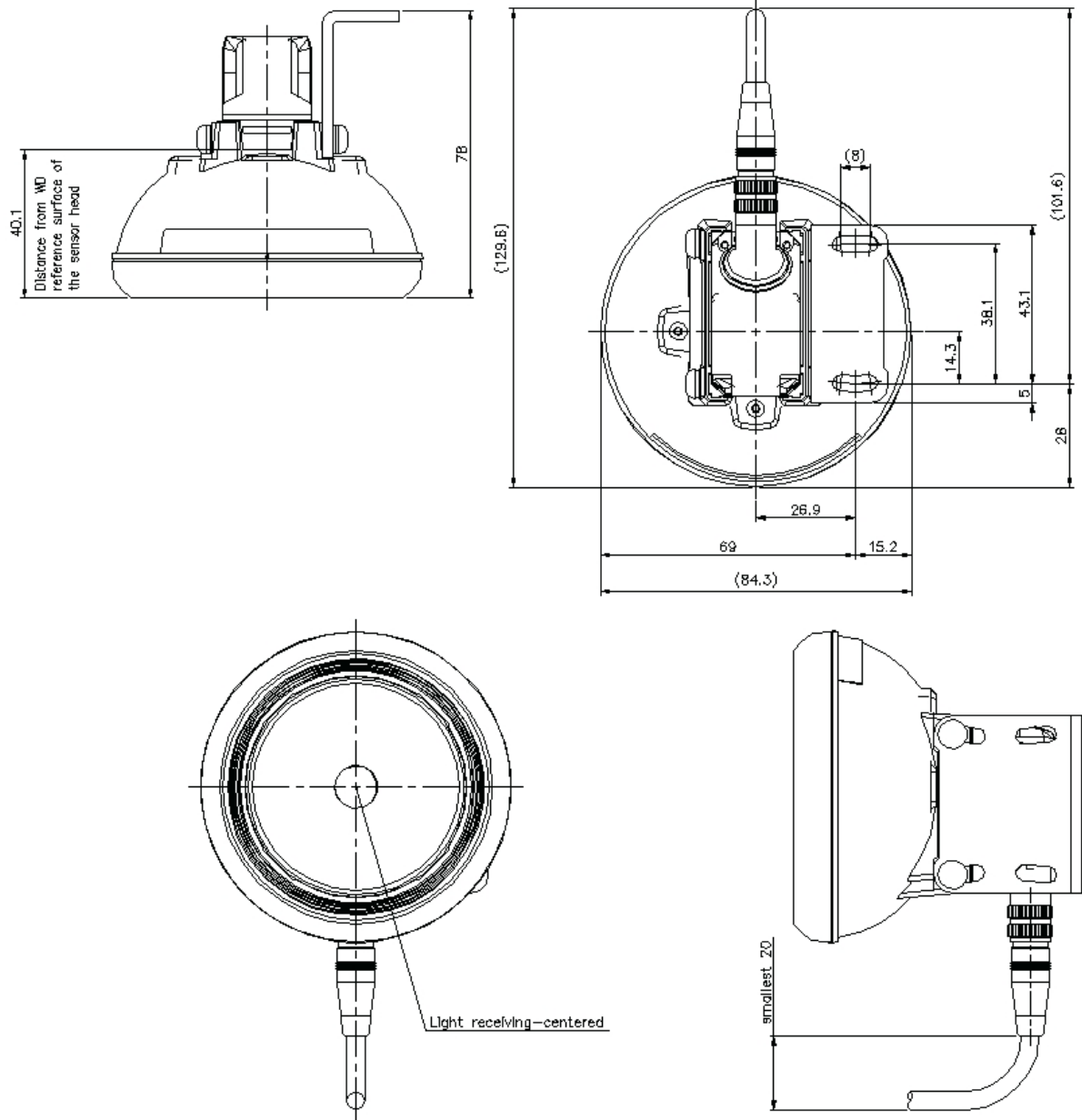
iv-g_hg_camera_gd05_op87908_dimension_01.gif

IV-G150MA/G300CA/G500CA/G500MA
 /G600MA/HG150MA/HG300CA/HG500CA
 /HG500MA/HG600MA/GD05/OP-87908



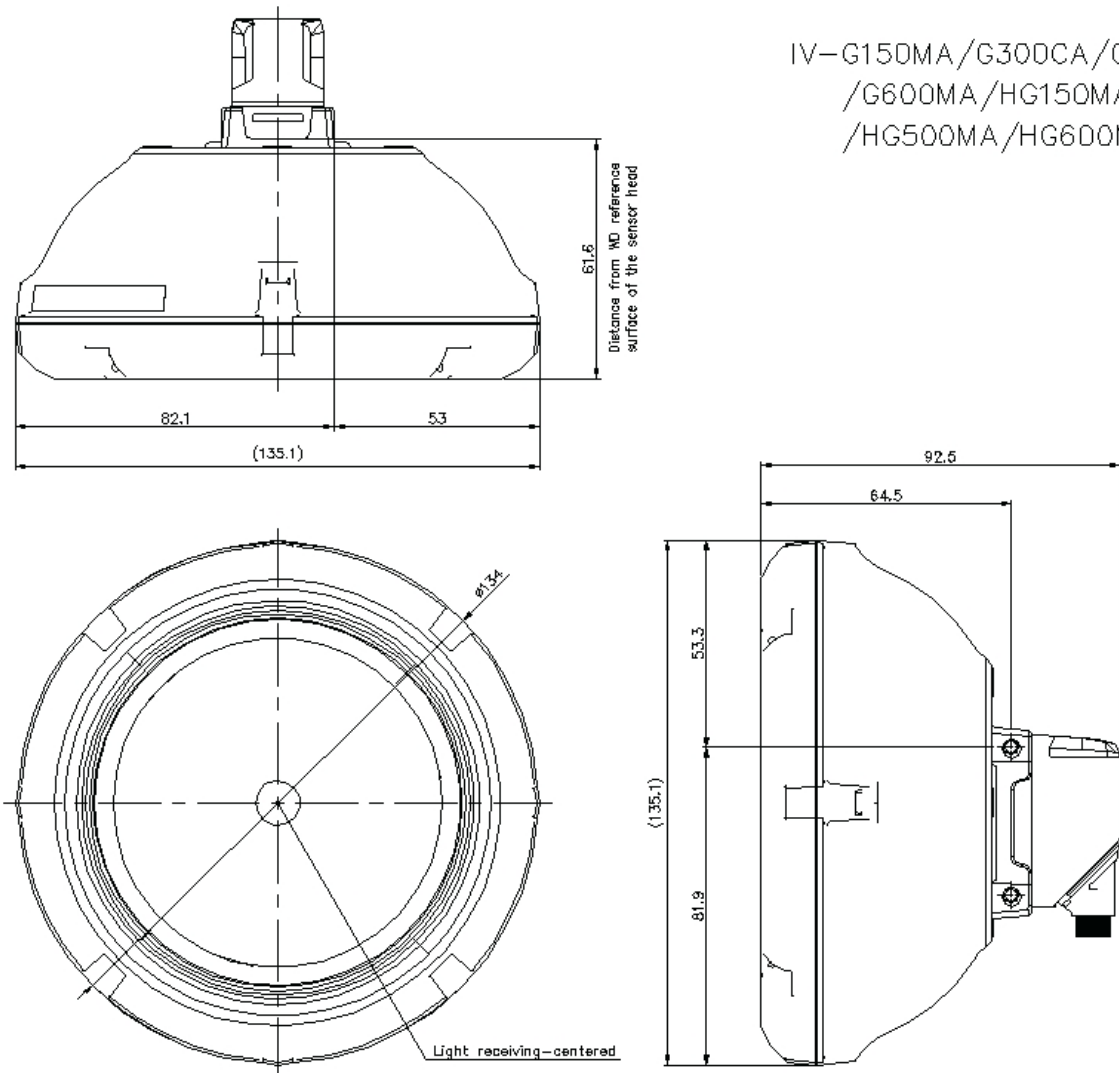
iv-g_hg_camera_gd05_op87909_dimension_01.gif

IV-G150MA/G300CA/G500CA/G500MA
 /G600MA/HG150MA/HG300CA/HG500CA
 /HG500MA/HG600MA/GD05/OP-87909

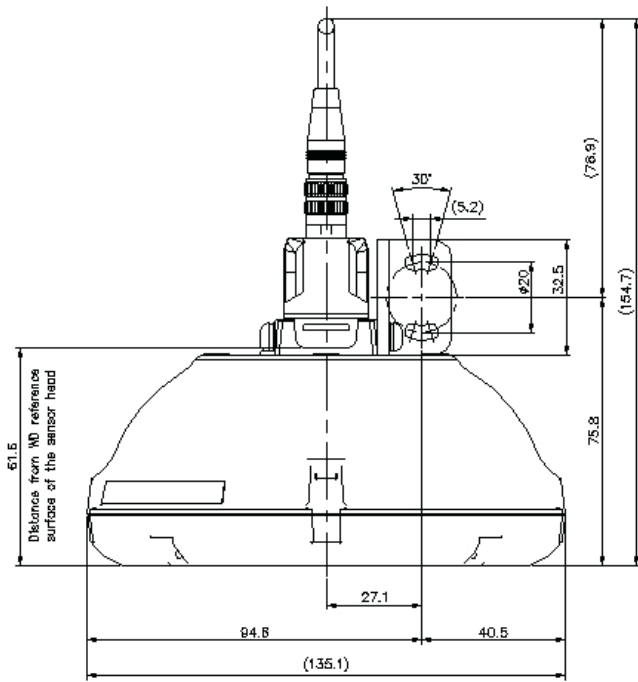


iv-g_hg_camera_gd10_dimension_01.gif

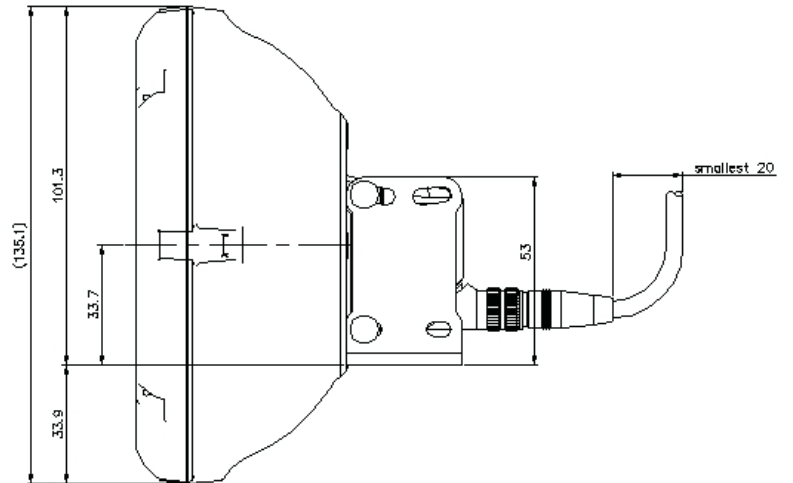
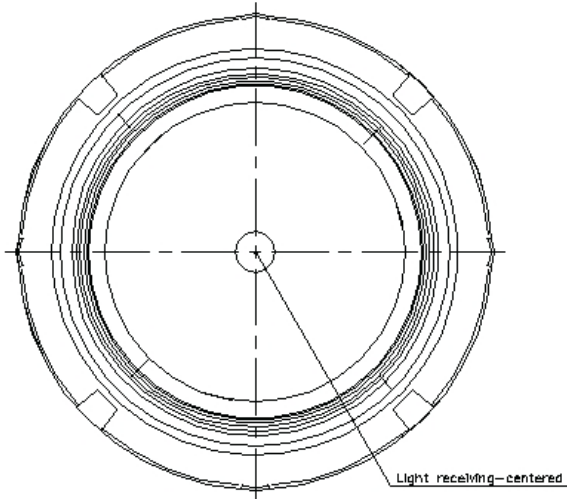
IV-G150MA/G300CA/G500CA/G500MA
 /G600MA/HG150MA/HG300CA/HG500CA
 /HG500MA/HG600MA/GD10



iv-g_hg_camera_gd10_op87908_dimension_01.gif

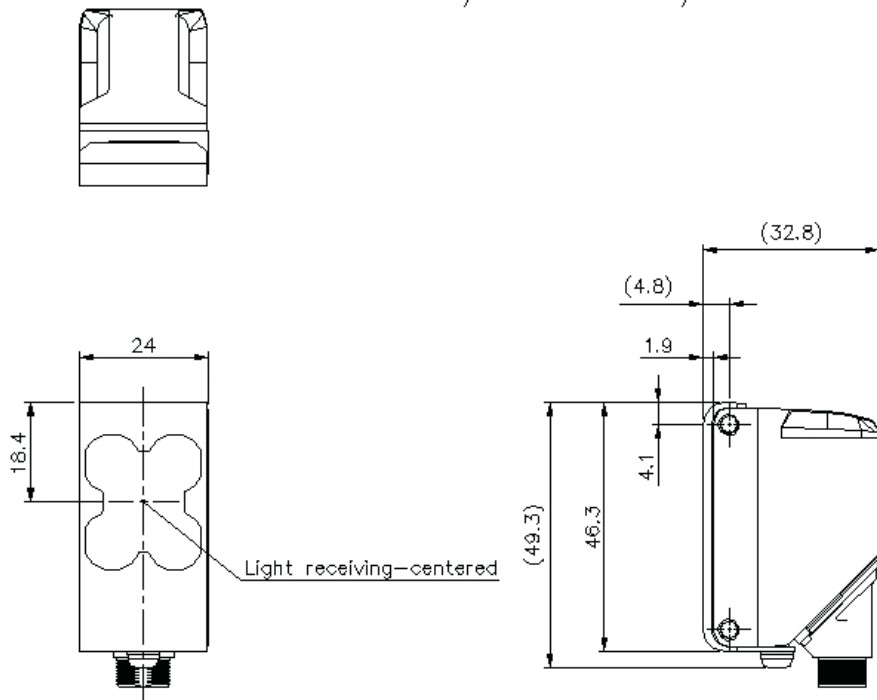


IV-G150MA/G300CA/G500CA/G500MA
 /G600MA/HG150MA/HG300CA/HG500CA
 /HG500MA/HG600MA/GD10/OP-87908



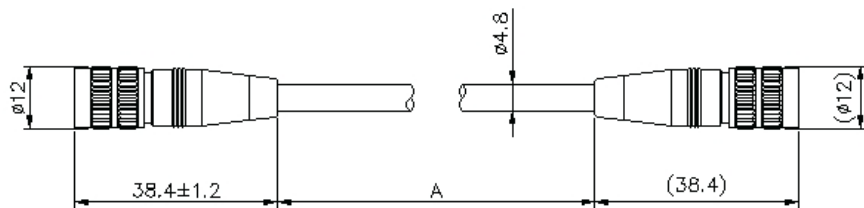
iv-g_hg_camera_op-87899-87901_dimension_01.gif

IV-G150MA/G300CA/G500CA/G500MA
 /G600MA/HG150MA/HG300CA/HG500CA
 /HG500MA/HG600MA/OP-87899/87900/87901



iv-g_hg_camera_op-87903-87905_dimension_01.gif

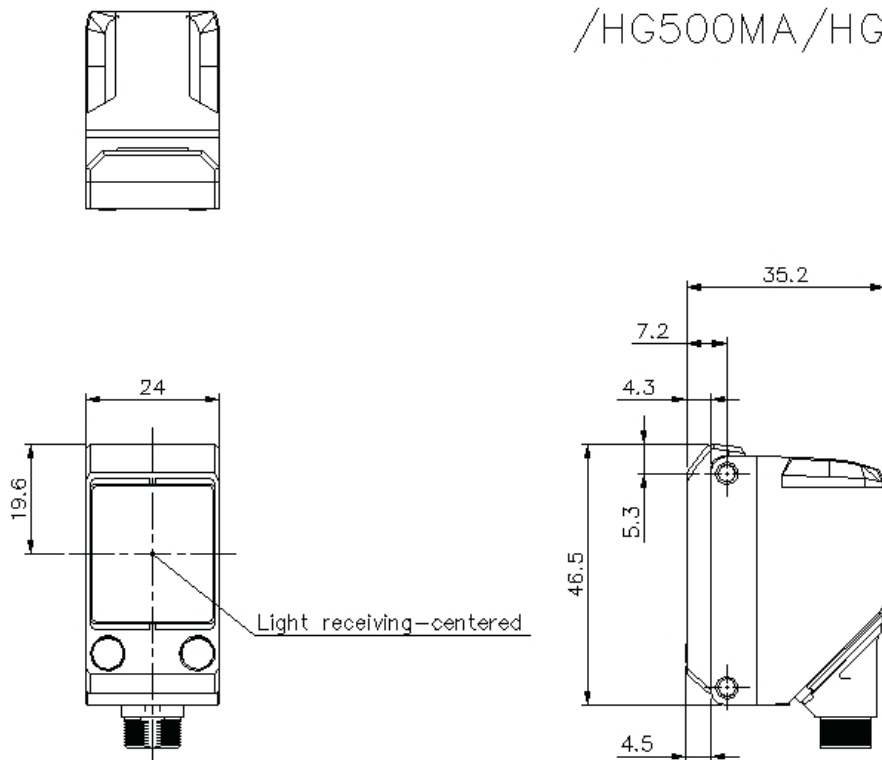
IV-G150MA/G300CA/G500CA/G500MA
 /G600MA/HG150MA/HG300CA/HG500CA
 /HG500MA/HG600MA/OP-87903/87904/87905



	A
OP-87903	2000
OP-87904	5000
OP-87905	10000

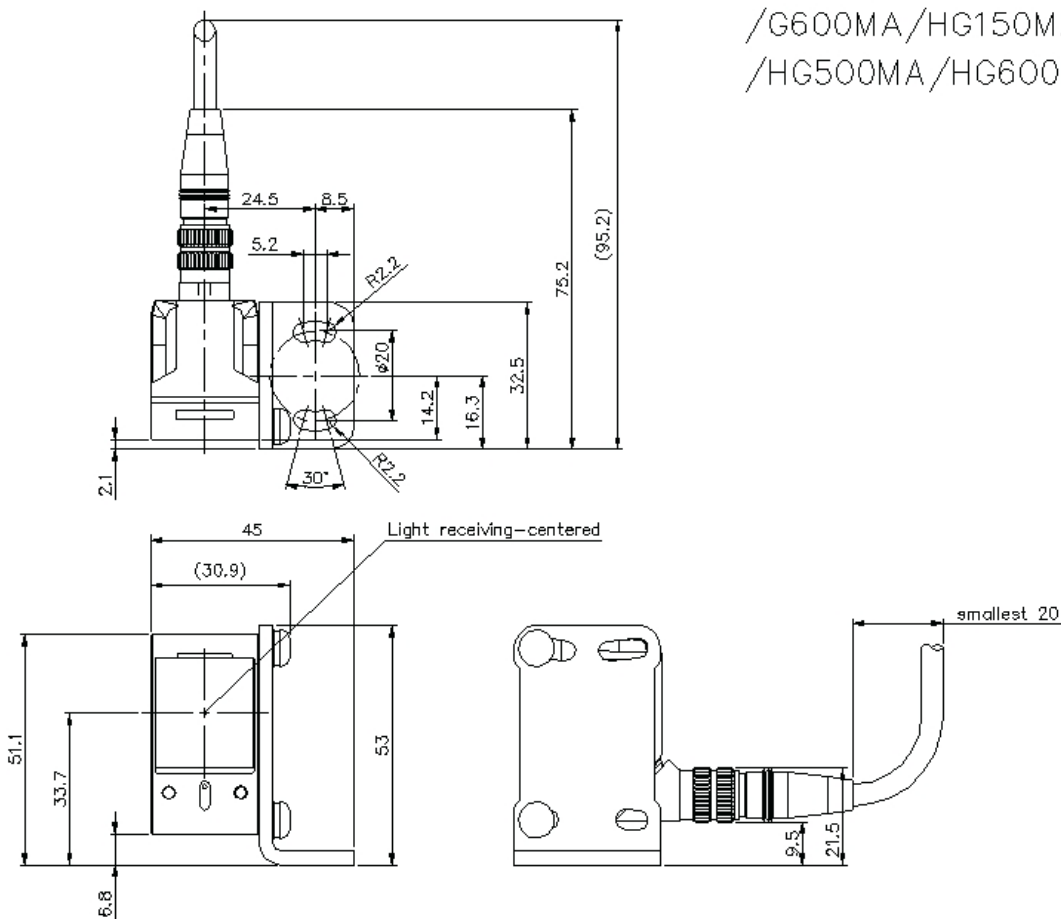
iv-g_hg_camera_op87902_dimension_01.gif

IV-G150MA/G300CA/G500CA/G500MA
 /G600MA/HG150MA/HG300CA/HG500CA
 /HG500MA/HG600MA/OP-87902



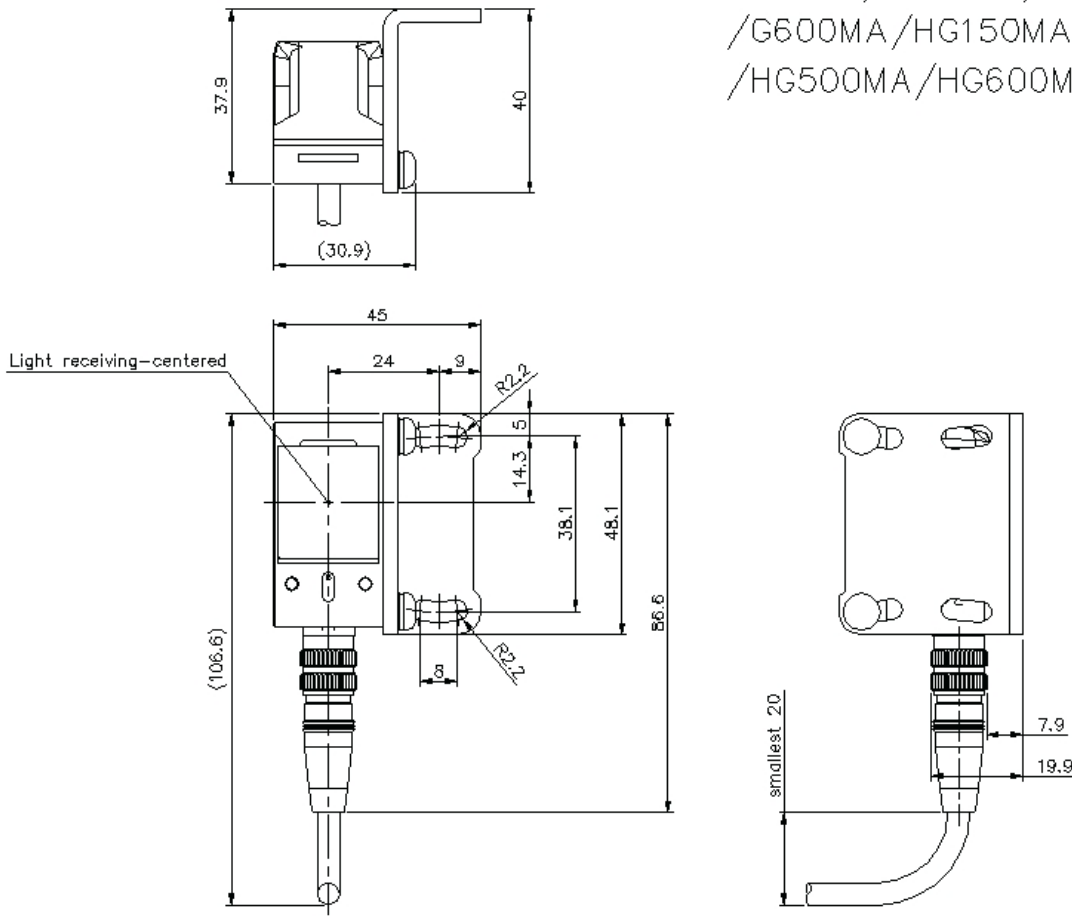
iv-g_hg_camera_op87908_dimension_01.gif

IV-G150MA/G300CA/G500CA/G500MA
 /G600MA/HG150MA/HG300CA/HG500CA
 /HG500MA/HG600MA/OP-87908



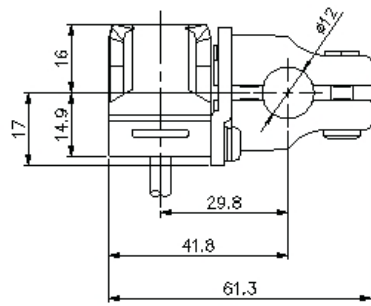
iv-g_hg_camera_op87909_dimension_01.gif

IV-G150MA/G300CA/G500CA/G500MA
 /G600MA/HG150MA/HG300CA/HG500CA
 /HG500MA/HG600MA/OP-87909

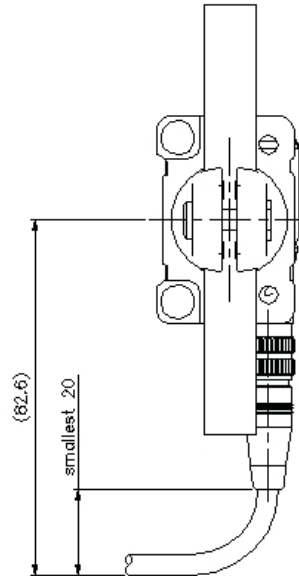
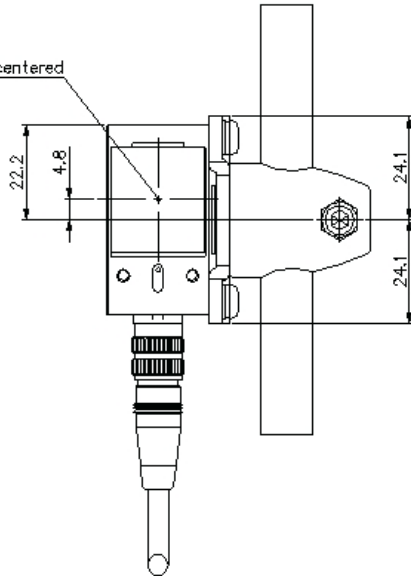


iv-g_hg_camera_op87910_dimension_01.gif

IV-G150MA/G300CA/G500CA/G500MA
 /G600MA/HG150MA/HG300CA/HG500CA
 /HG500MA/HG600MA/OP-87910



Light receiving-centered



A support pipe of $\varnothing 12$ is not included in OP-87910.