



OP-87908

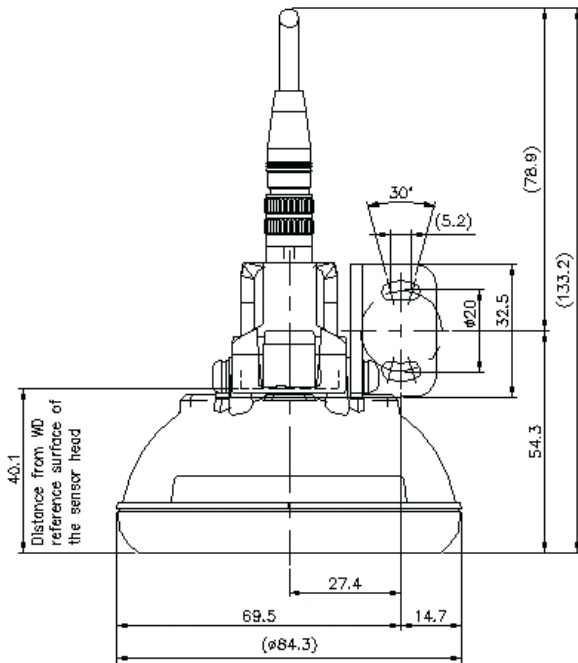
Support de fixation verticale

**Spécifications**

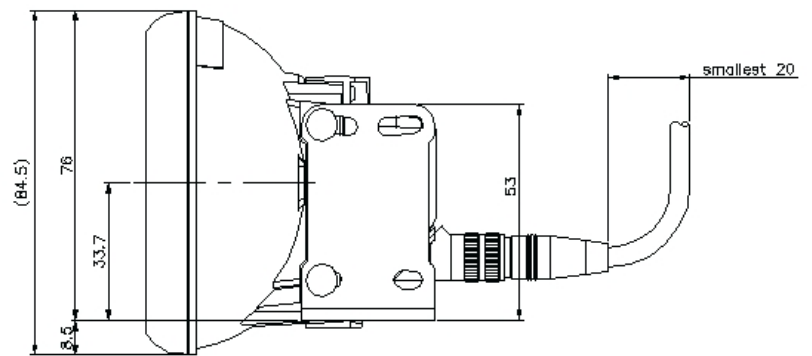
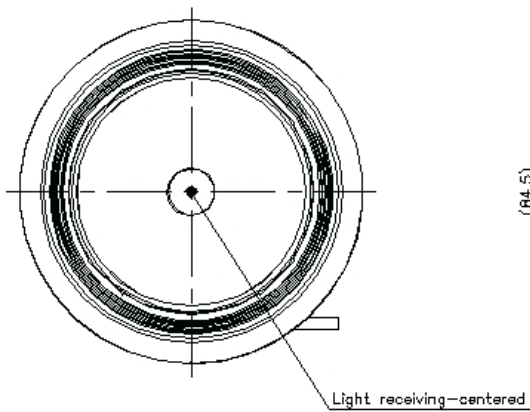
Modèle	OP-87908
Type	Support de fixation verticale
Poids	Environ 20 g

Dimensions

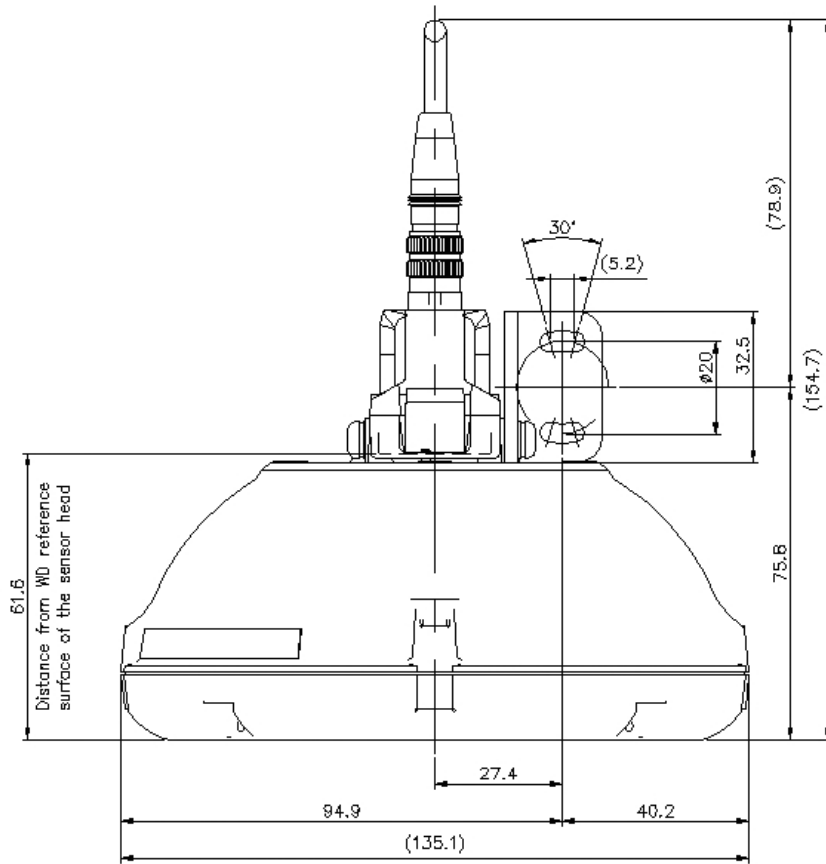
\* En cas de difficultés à lire le texte, consultez les données CAO ou le manuel.

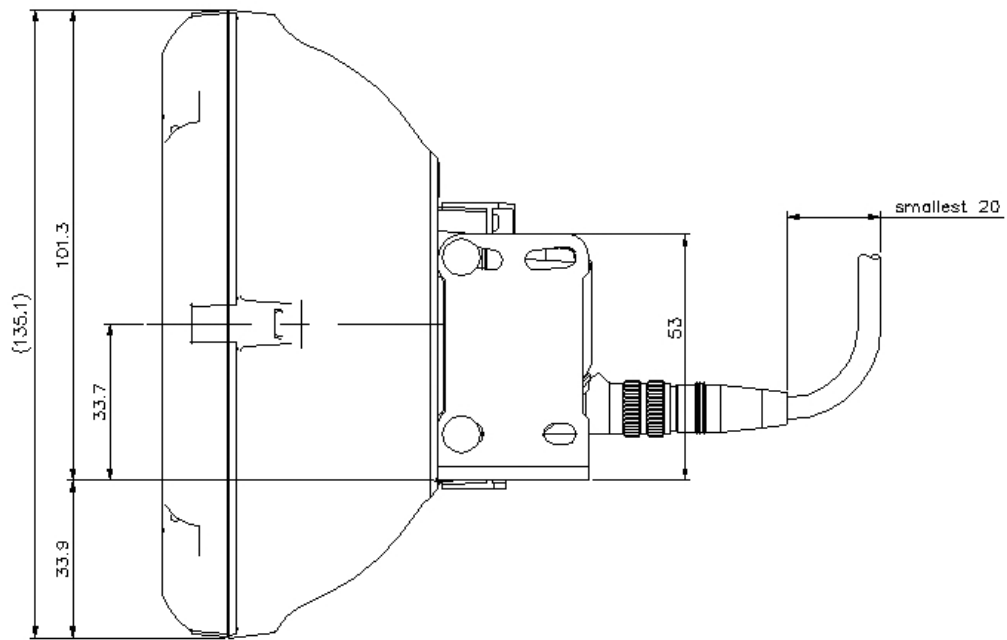
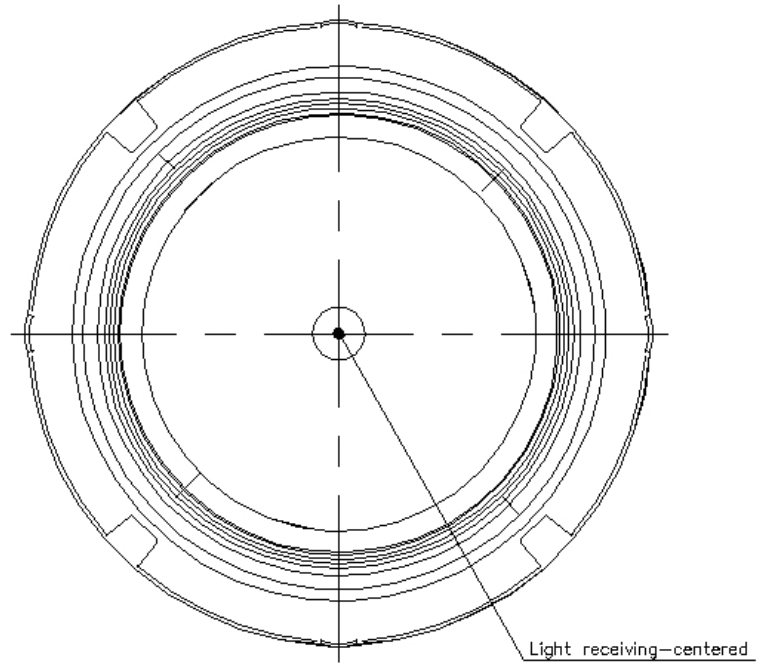


IV2-G150MA/G300CA/G500CA  
/G500MA/G600MA/GD05/OP-87908

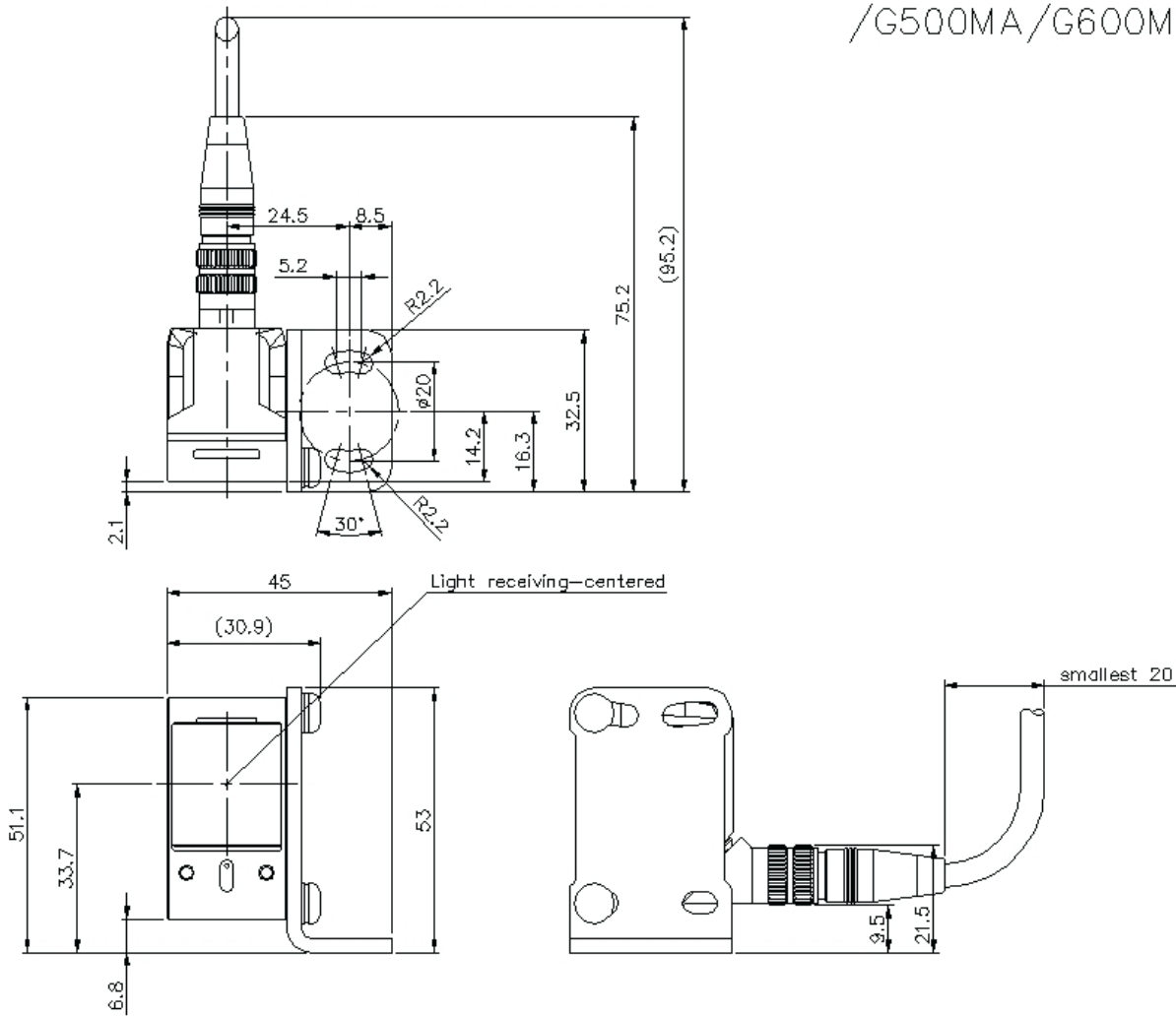


IV2-G150MA/G300CA/G500CA  
/G500MA/G600MA/GD10/OP-87908



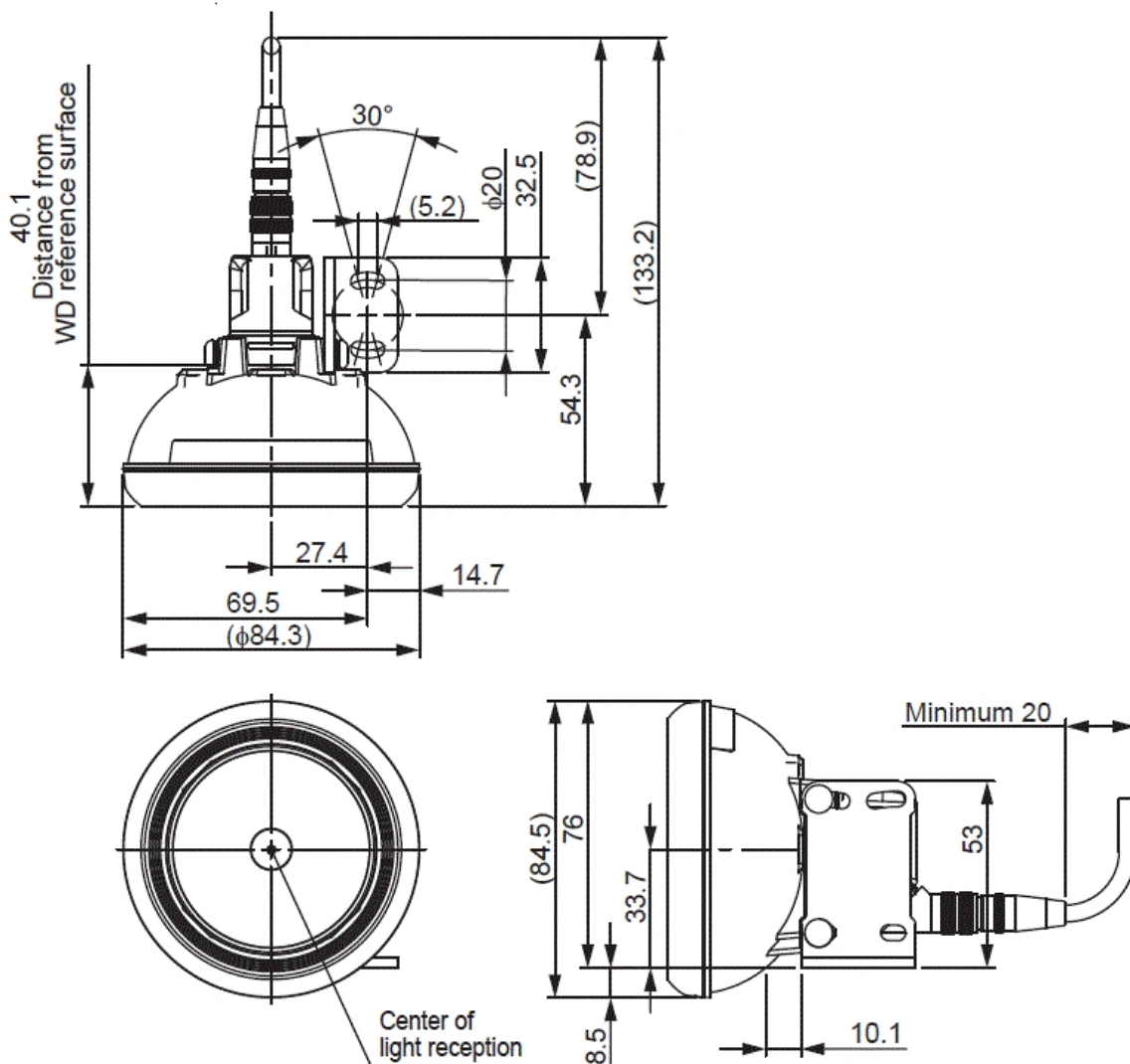


IV2-G150MA/G300CA/G500CA  
/G500MA/G600MA/OP-87908



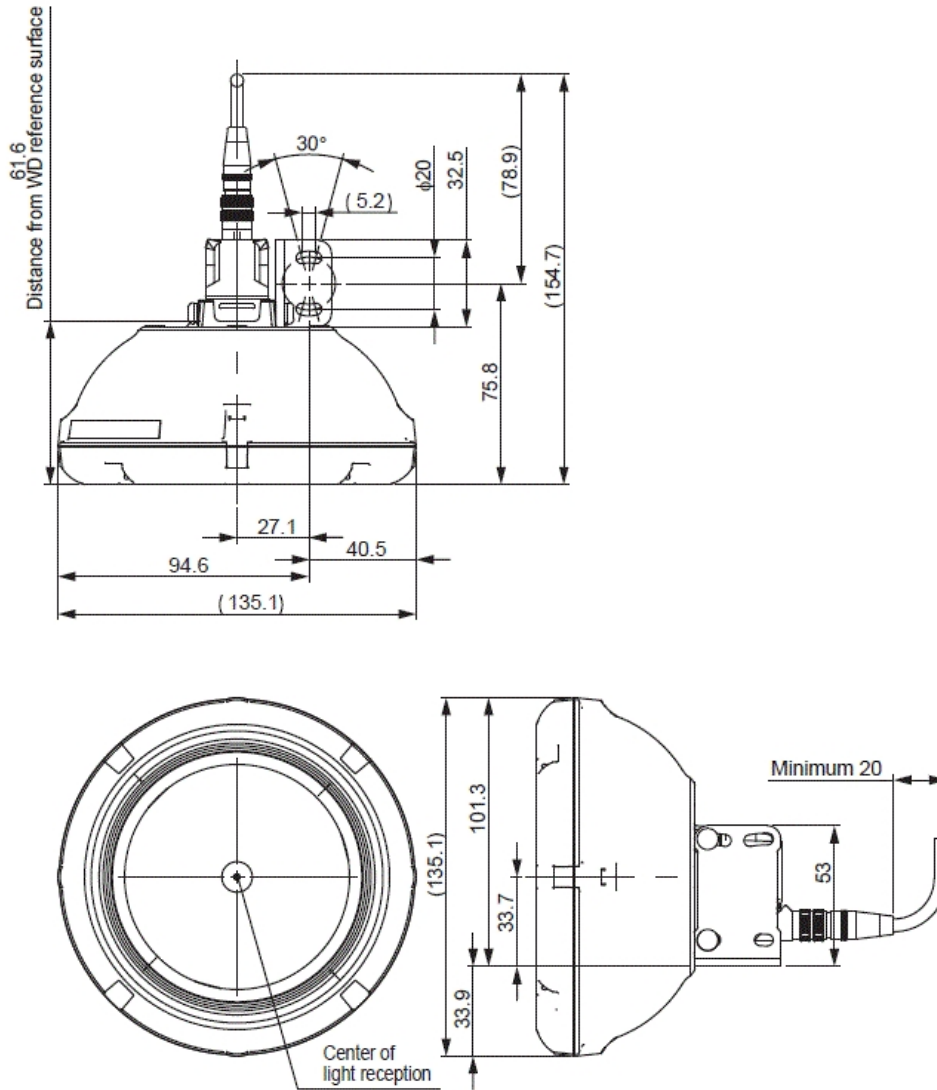
IV-G\_CAMERA\_GD05\_OP-87908\_dimension\_01.gif

- Dome attachment for IV-G series (IV-GD05)  
with Vertical mounting bracket for IV-G series (OP-87908)



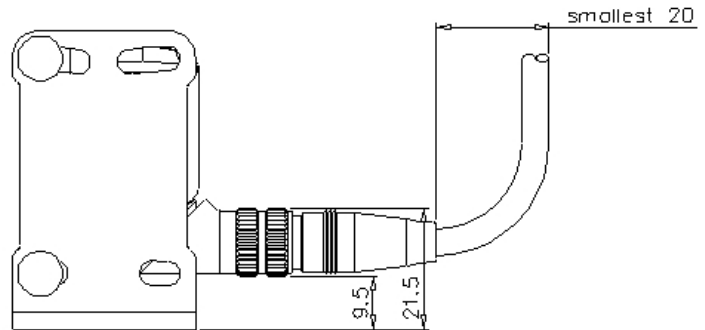
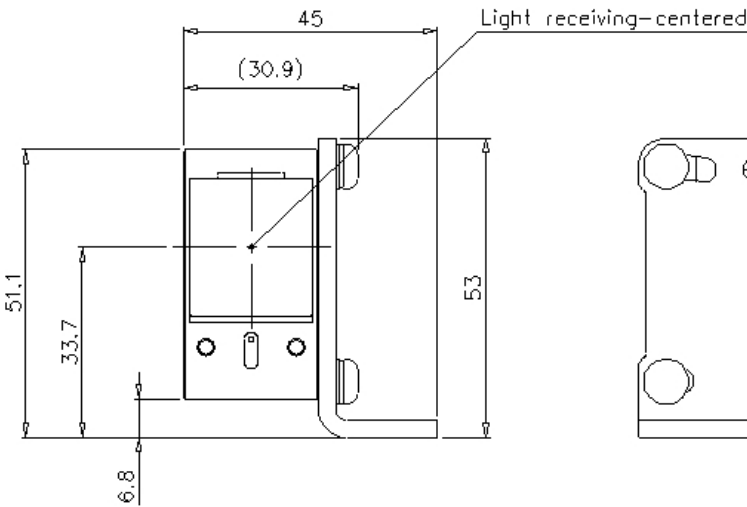
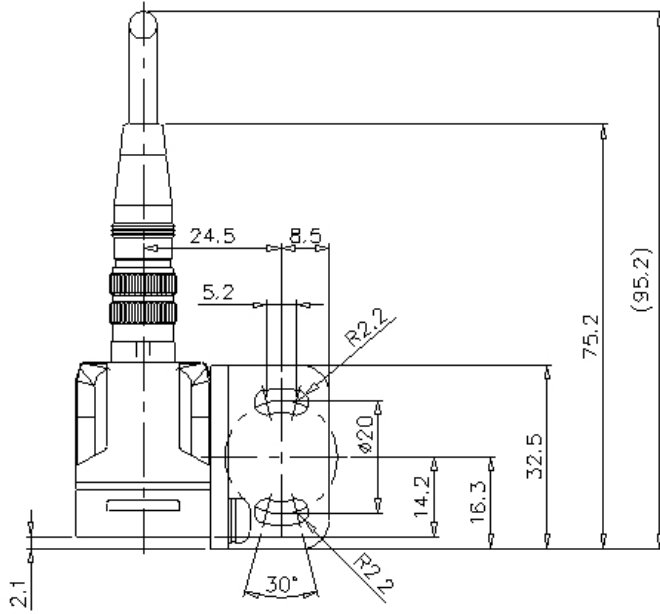
IV-G\_CAMERA\_GD10\_OP-87908\_dimension\_01.gif

- Dome attachment for IV-G series (IV-GD10) with Vertical mounting bracket for IV-G series (OP-87908)



IV-G\_CAMERA\_OP-87908\_dimension\_01.gif

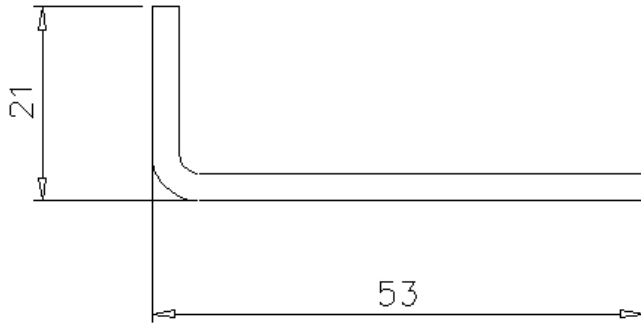
IV-G\_CAMERA\_OP-87908



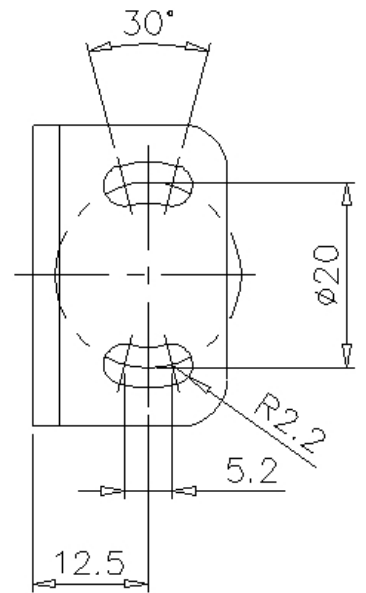
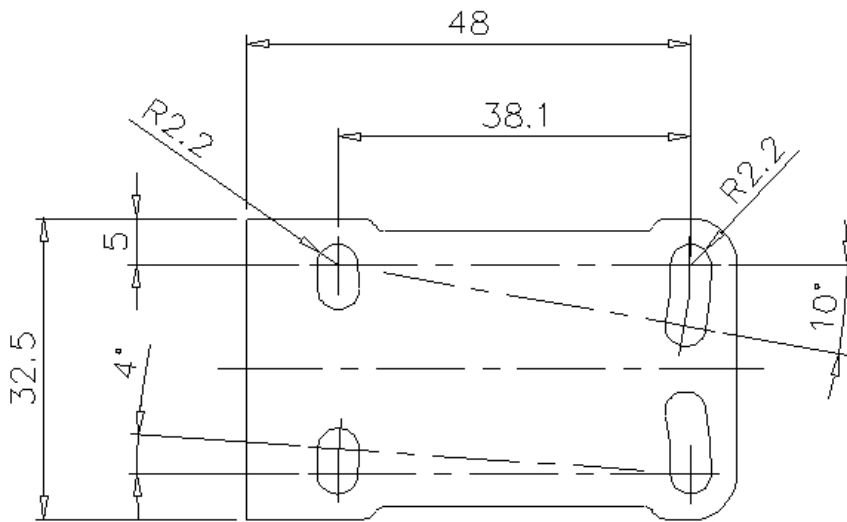
OP-87908\_dimension\_01.gif



OP-87908

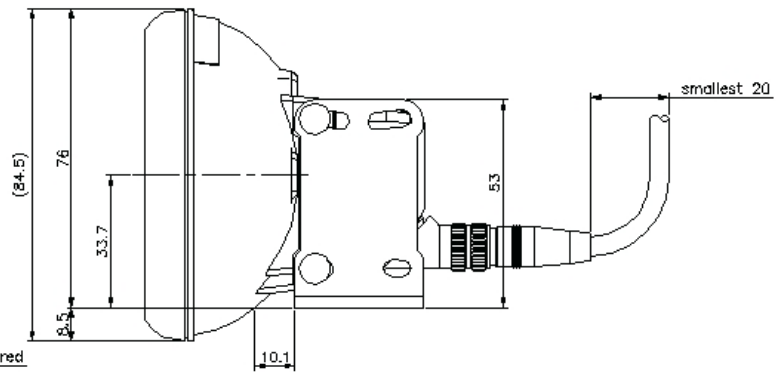
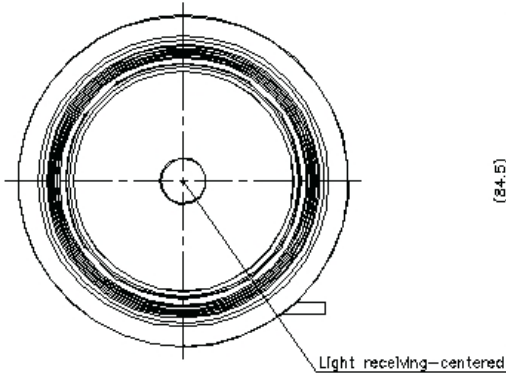
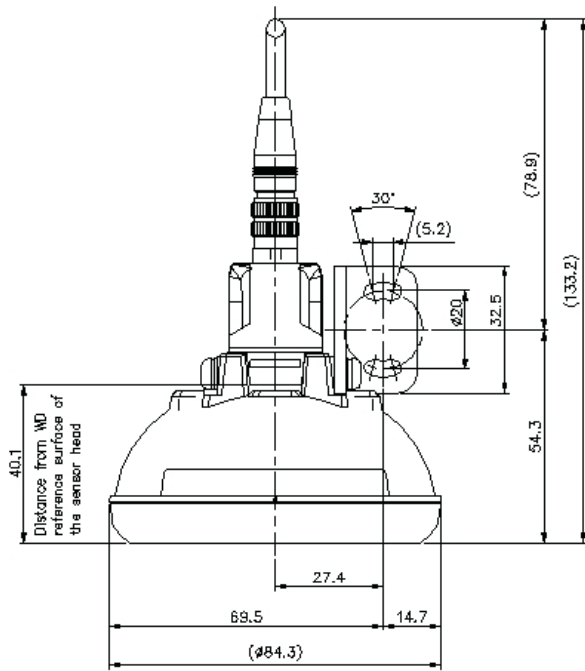


Material: A5052  
t=3.0

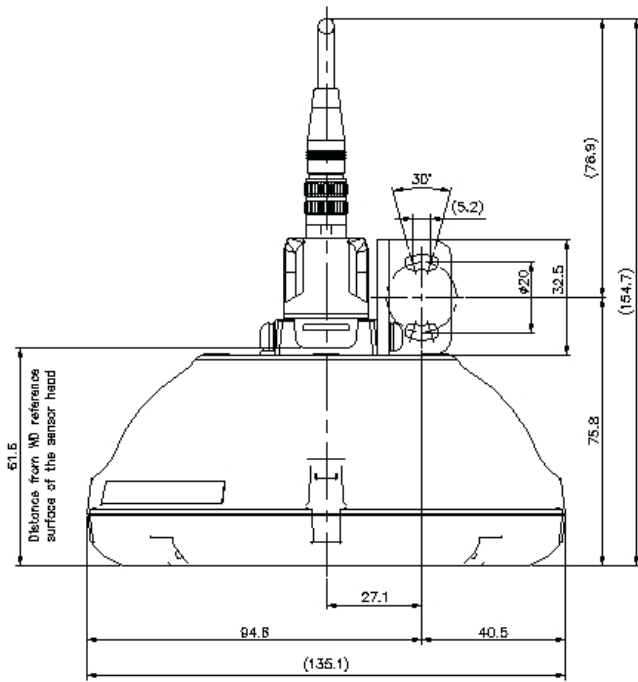


iv-g\_hg\_camera\_gd05\_op87908\_dimension\_01.gif

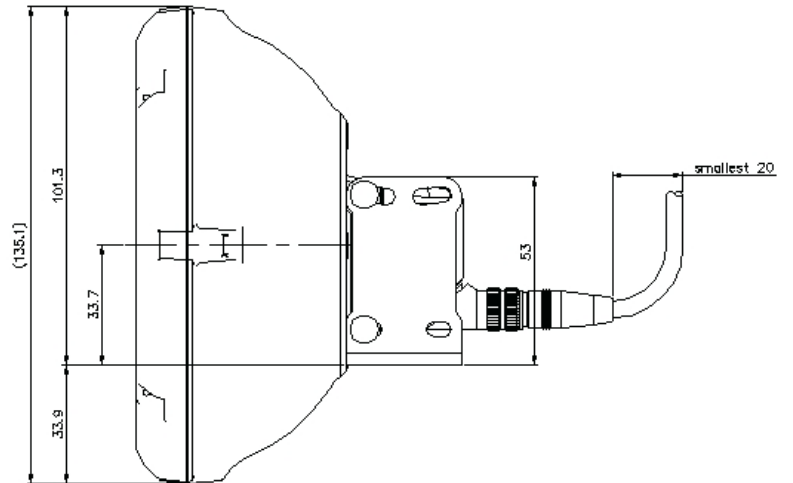
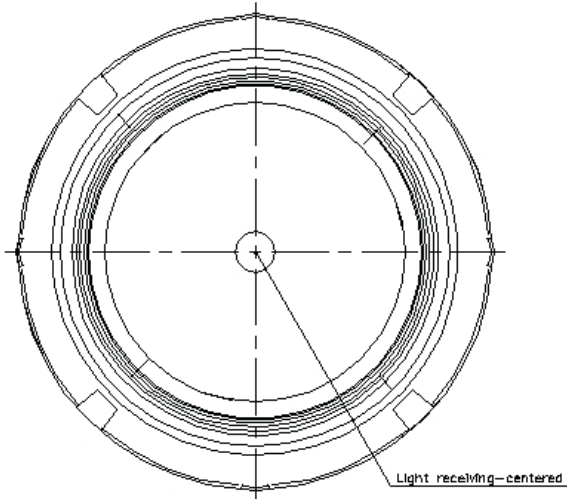
IV-G150MA/G300CA/G500CA/G500MA  
 /G600MA/HG150MA/HG300CA/HG500CA  
 /HG500MA/HG600MA/GD05/OP-87908



iv-g\_hg\_camera\_gd10\_op87908\_dimension\_01.gif



IV-G150MA/G300CA/G500CA/G500MA  
 /G600MA/HG150MA/HG300CA/HG500CA  
 /HG500MA/HG600MA/GD10/OP-87908



iv-g\_hg\_camera\_op87908\_dimension\_01.gif

IV-G150MA/G300CA/G500CA/G500MA  
 /G600MA/HG150MA/HG300CA/HG500CA  
 /HG500MA/HG600MA/OP-87908

