



OP-87909

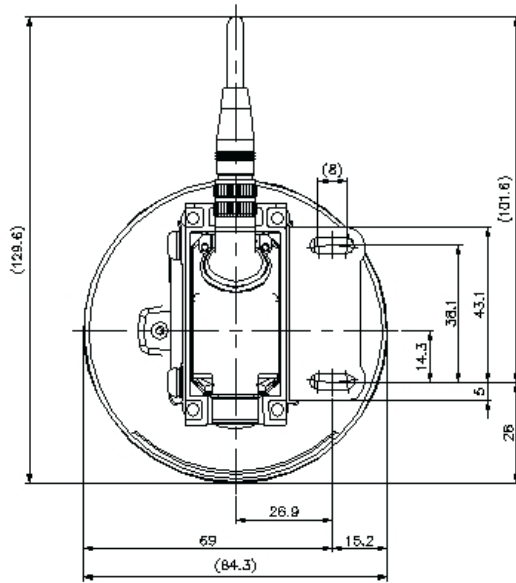
Support de fixation arrière

Spécifications

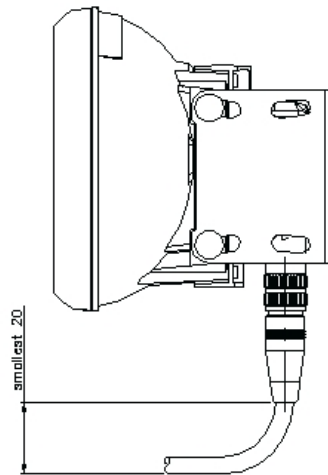
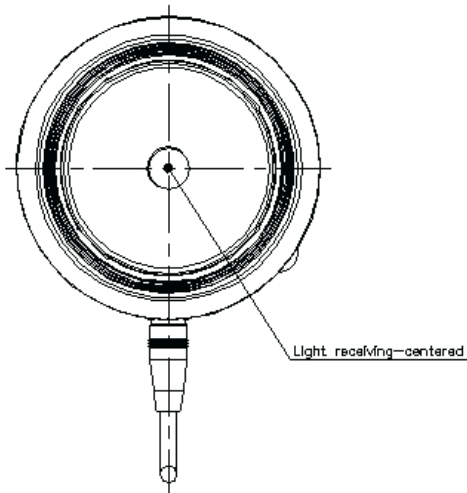
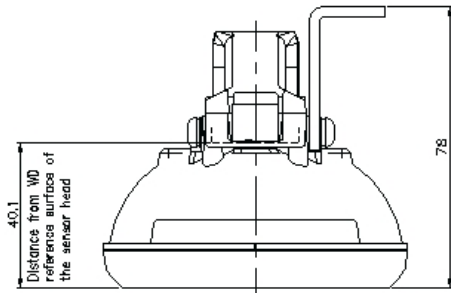
Modèle	OP-87909
Type	Support de fixation arrière
Poids	Environ 20 g

Dimensions

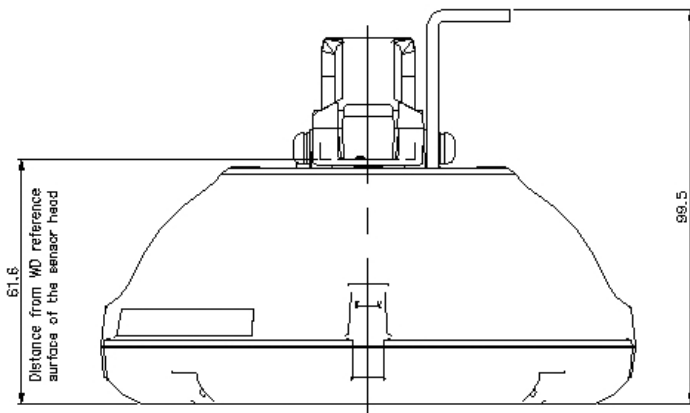
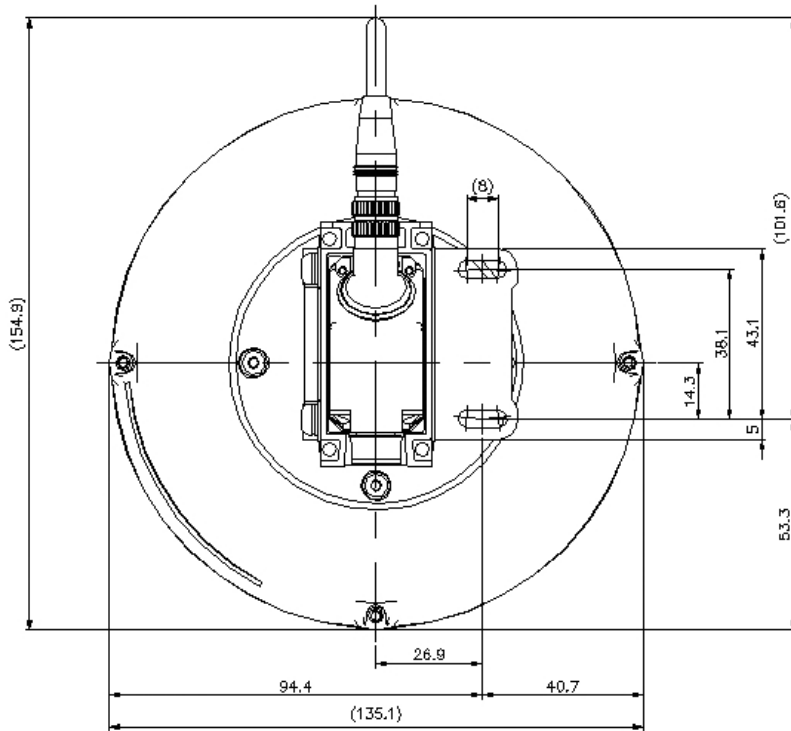
* En cas de difficultés à lire le texte, consultez les données CAO ou le manuel.

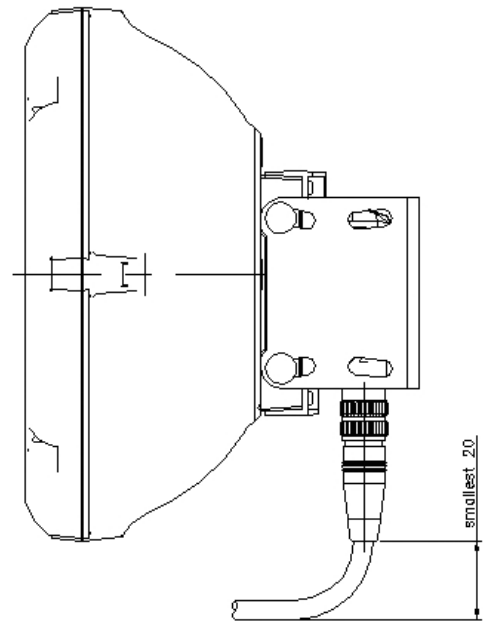
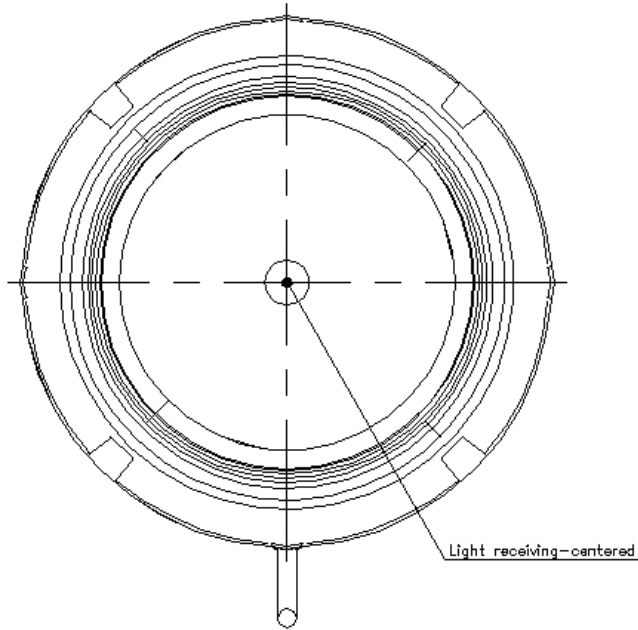


IV2-G150MA/G300CA/G500CA
/G500MA/G600MA/GD05/OP-87909

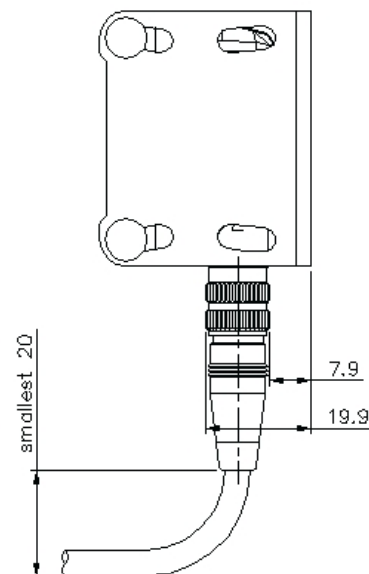
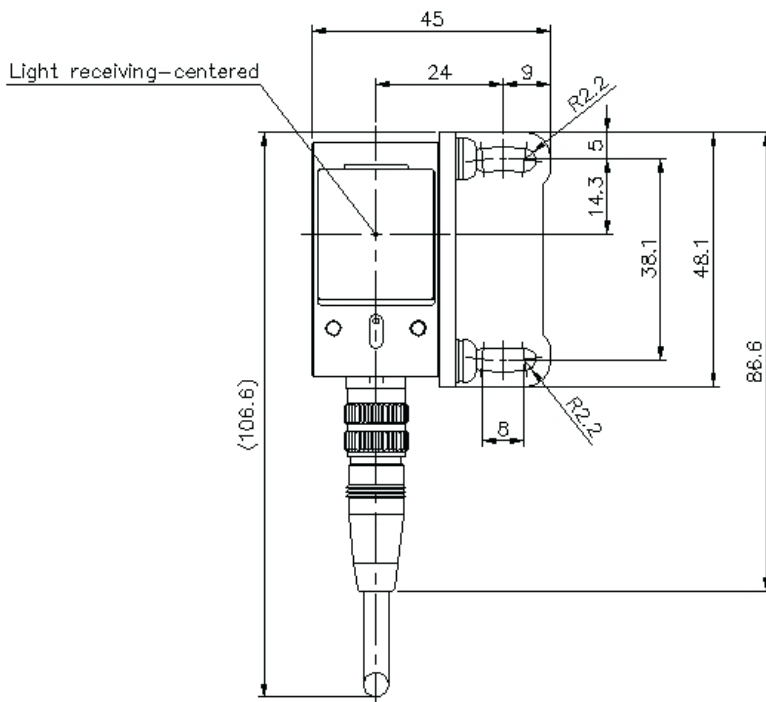
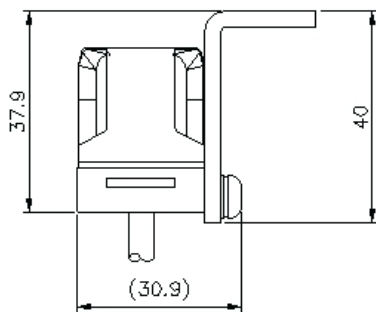


IV2-G150MA/G300CA/G500CA
/G500MA/G600MA/GD10/OP-87909



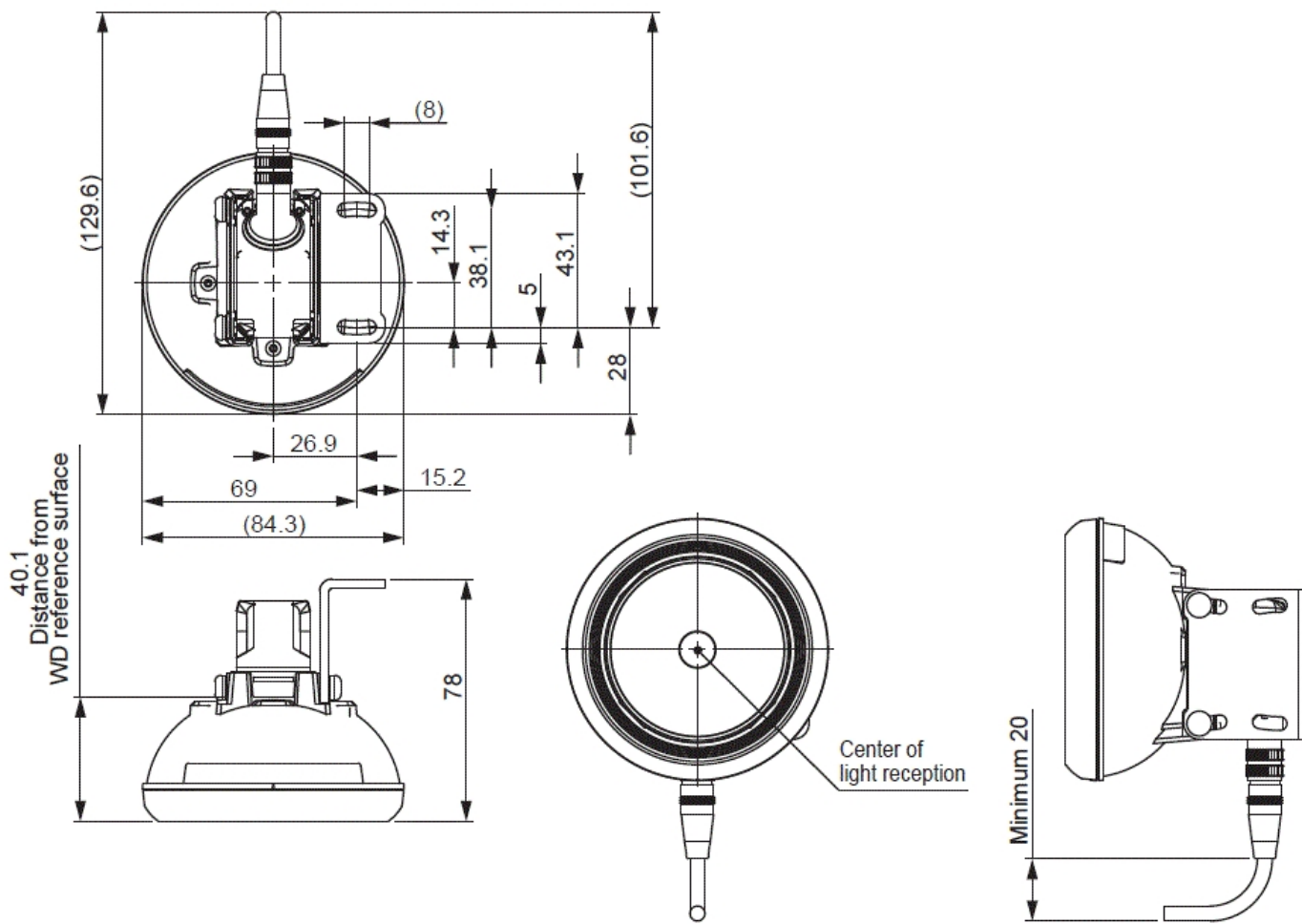


IV2-G150MA/G300CA/G500CA
/G500MA/G600MA/OP-87909



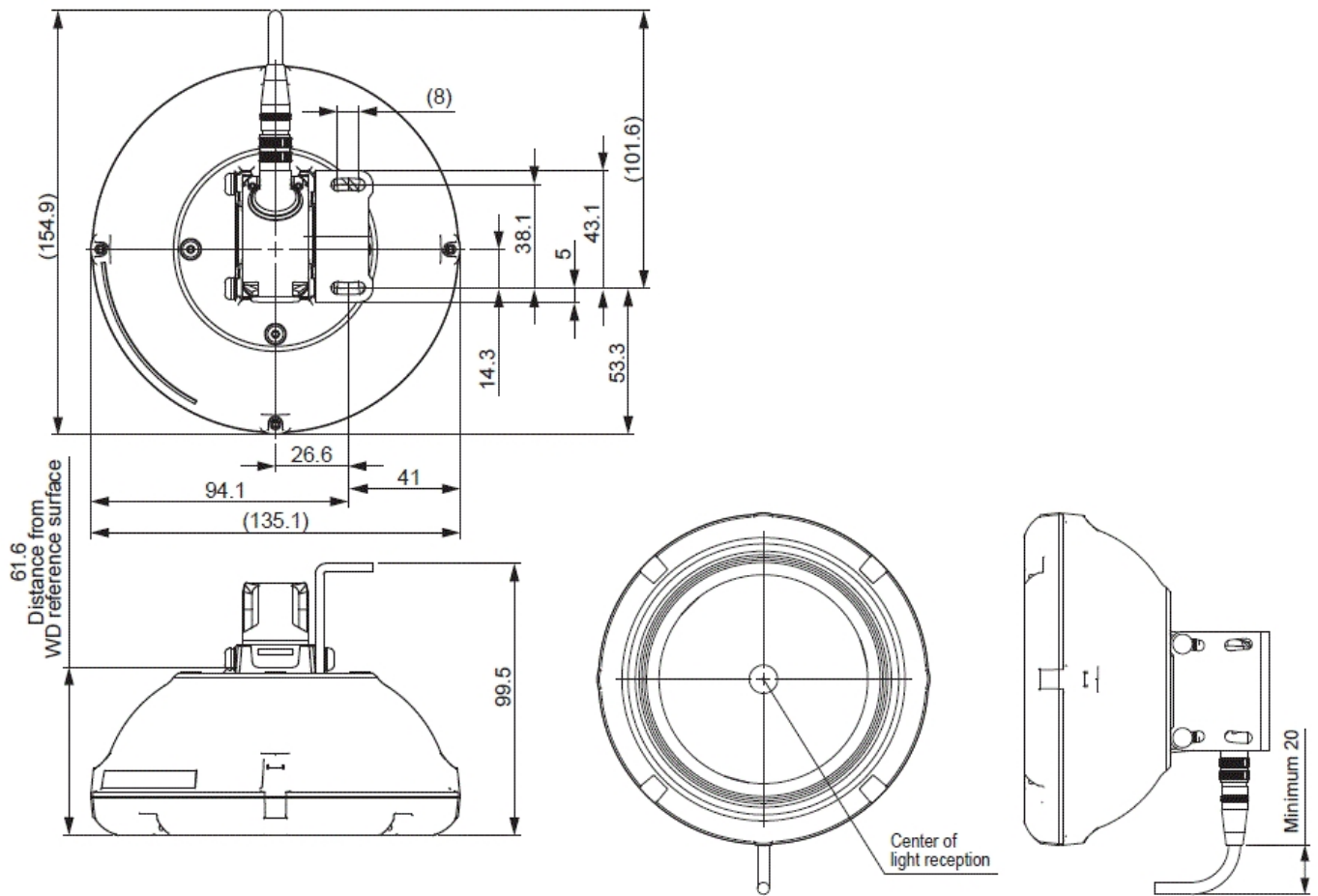
IV-G_CAMERA_GD05_OP-87909_dimension_01.gif

• Dome attachment for IV-G series (IV-GD05)
with Transverse mounting bracket for IV-G series (OP-87909)



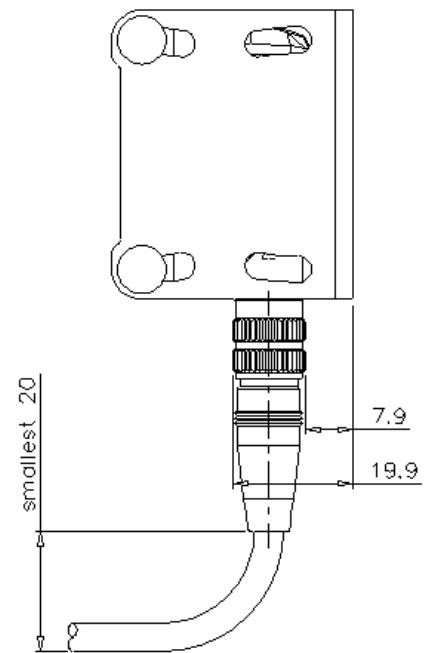
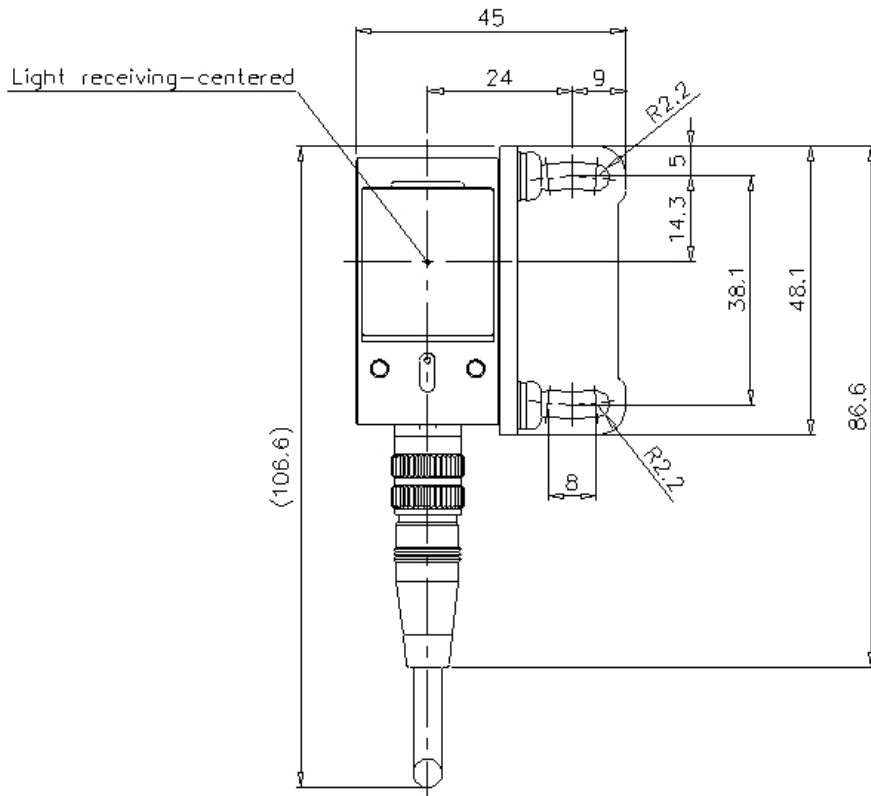
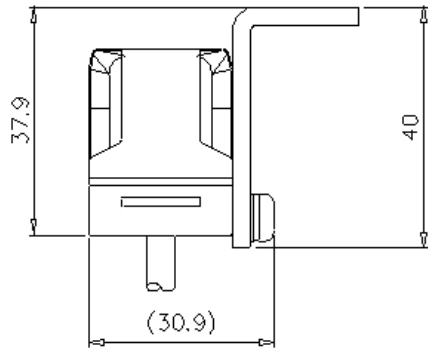
IV-G_CAMERA_GD10_OP-87909_dimension_01.gif

- Dome attachment for IV-G series (IV-GD10) with Transverse mounting bracket for IV-G series (OP-87909)



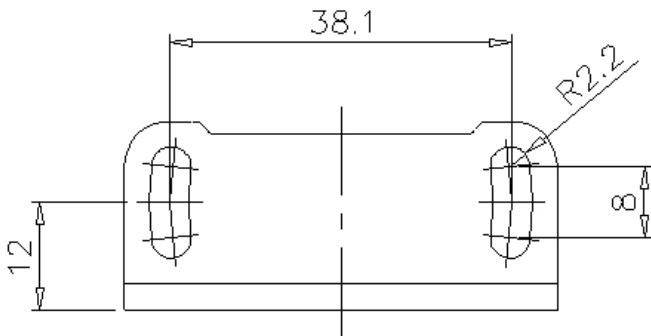
IV-G_CAMERA_OP-87909_dimension_01.gif

IV-G_CAMERA_OP-87909

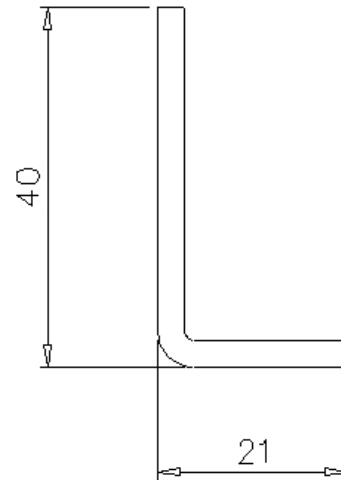
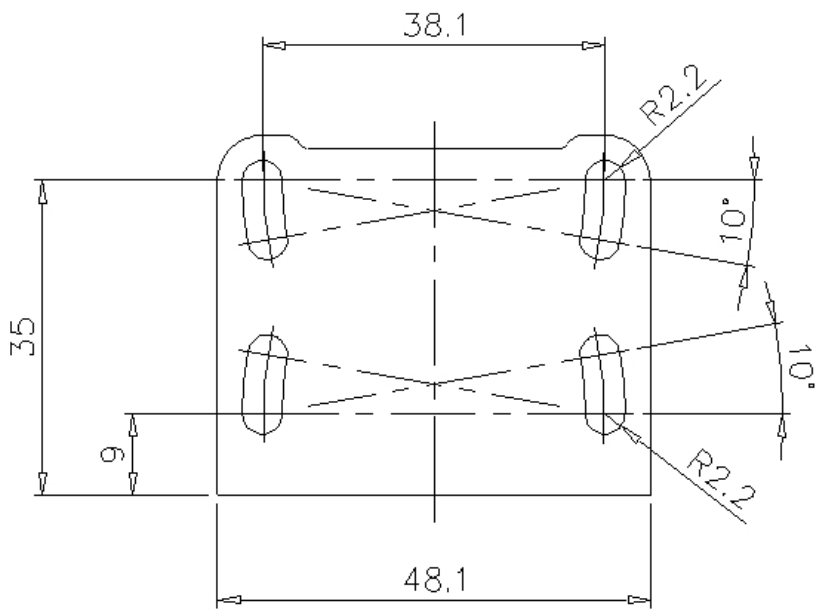


OP-87909_dimension_01.gif

OP-87909

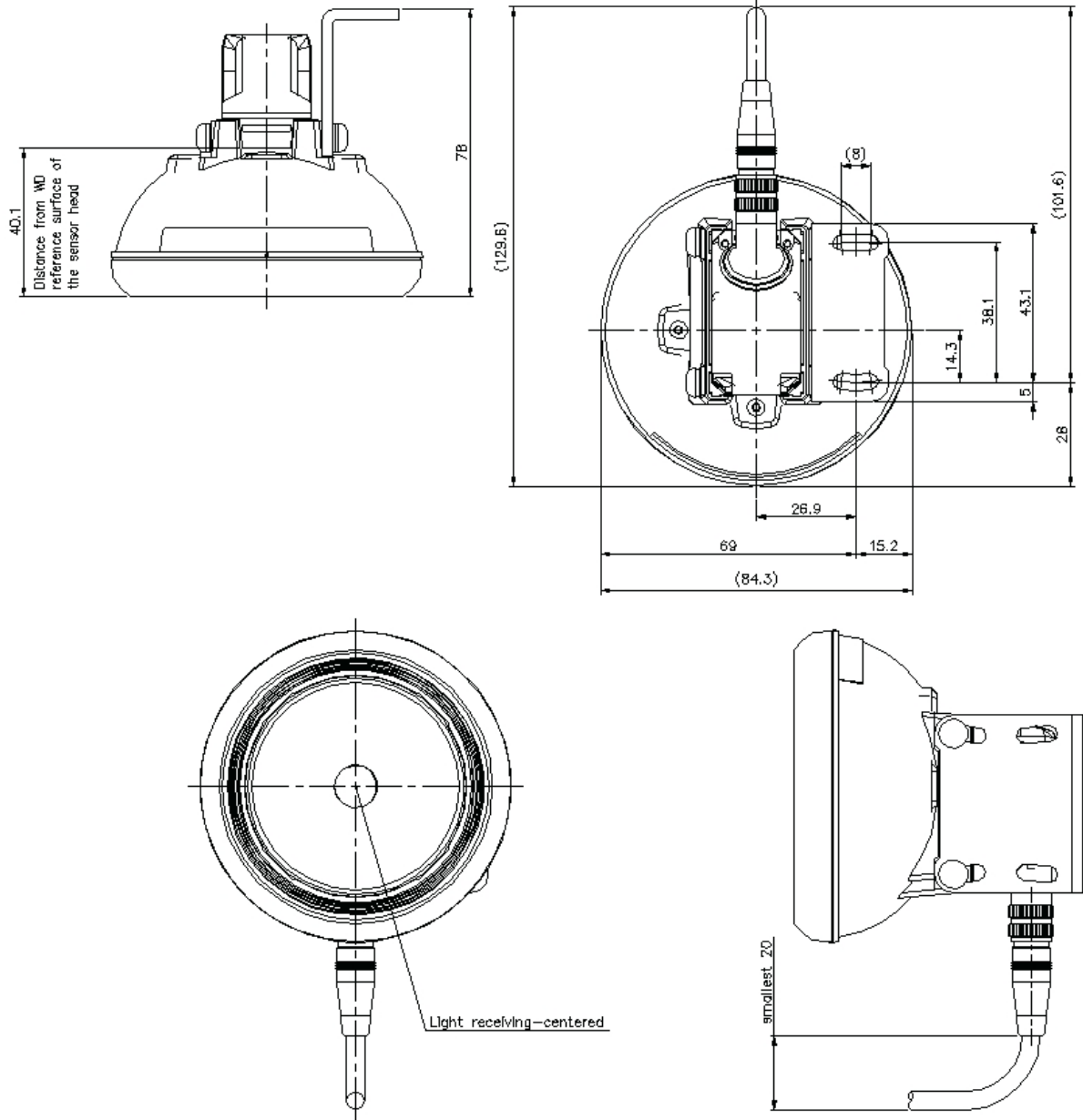


Material: A5052
t=3.0



iv-g_hg_camera_gd05_op87909_dimension_01.gif

IV-G150MA/G300CA/G500CA/G500MA
 /G600MA/HG150MA/HG300CA/HG500CA
 /HG500MA/HG600MA/GD05/OP-87909



iv-g_hg_camera_gd10_op87909_dimension_01.gif

