

OP-87910

Support réglable

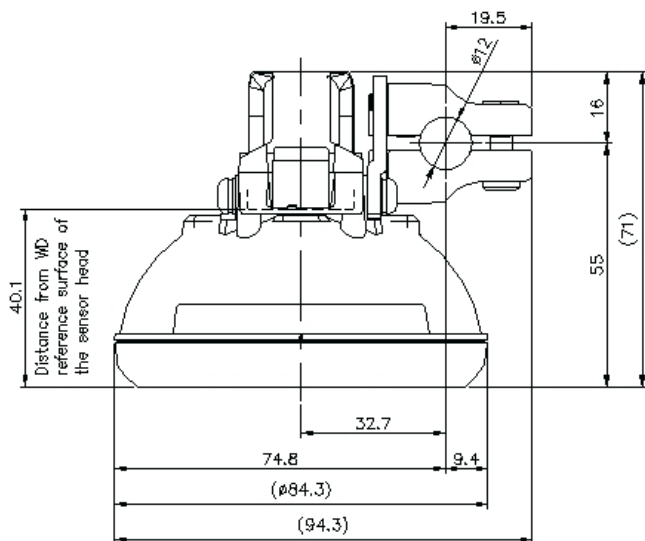


Spécifications

Modèle	OP-87910
Type	Support réglable
Poids	Environ 75 g

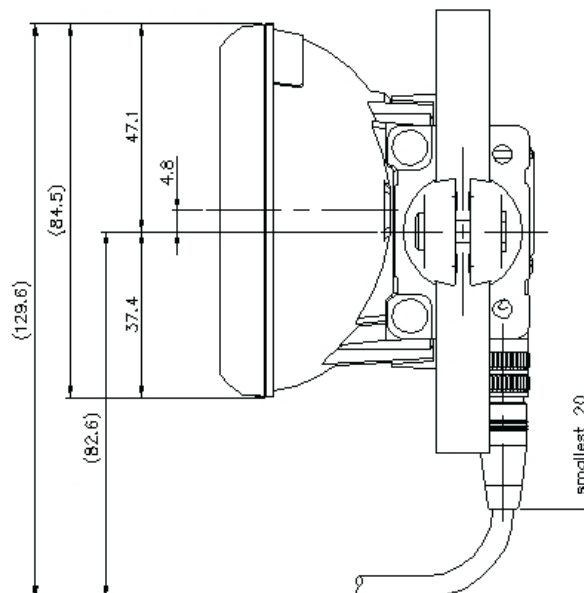
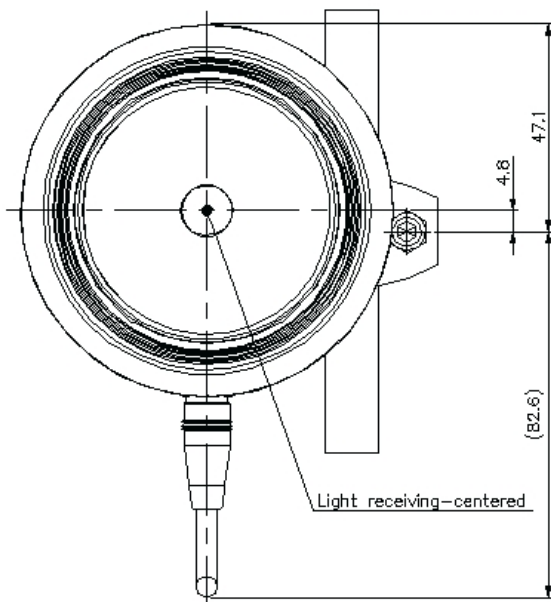
Dimensions

* En cas de difficultés à lire le texte, consultez les données CAO ou le manuel.

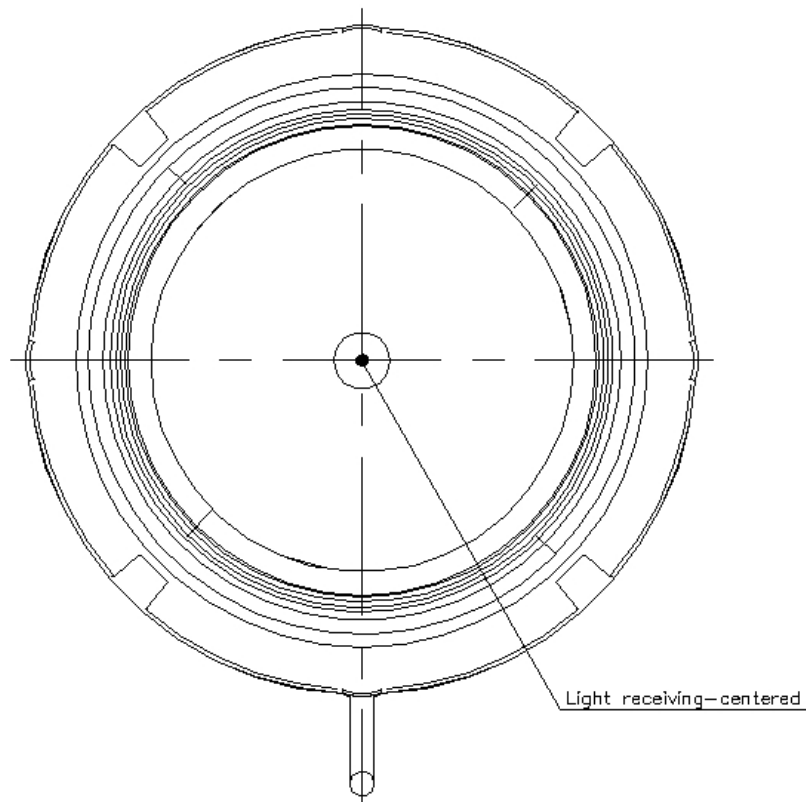
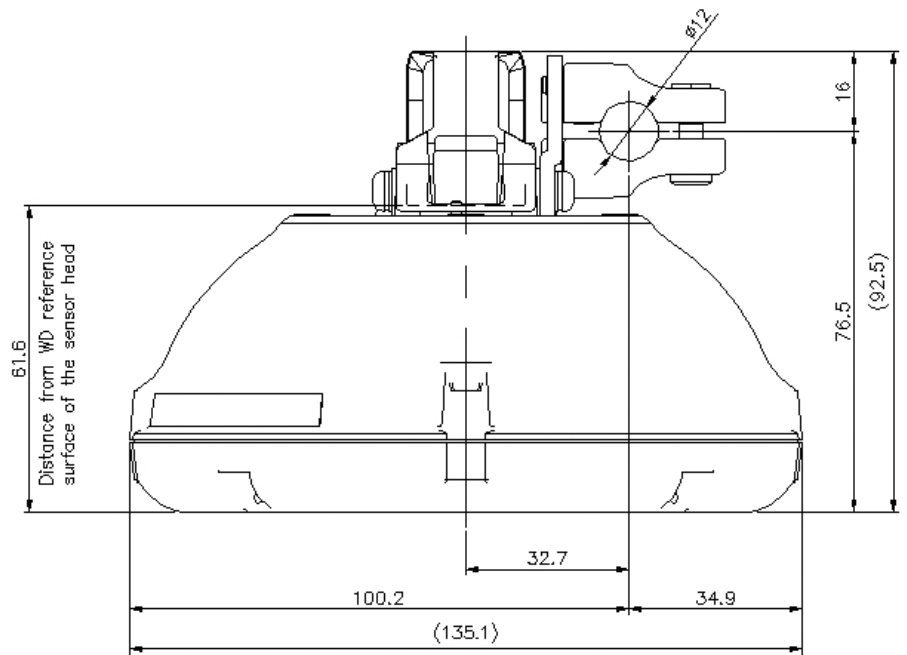


IV2-G150MA/G300CA/G500CA
/G500MA/G600MA/GD05/OP-87910

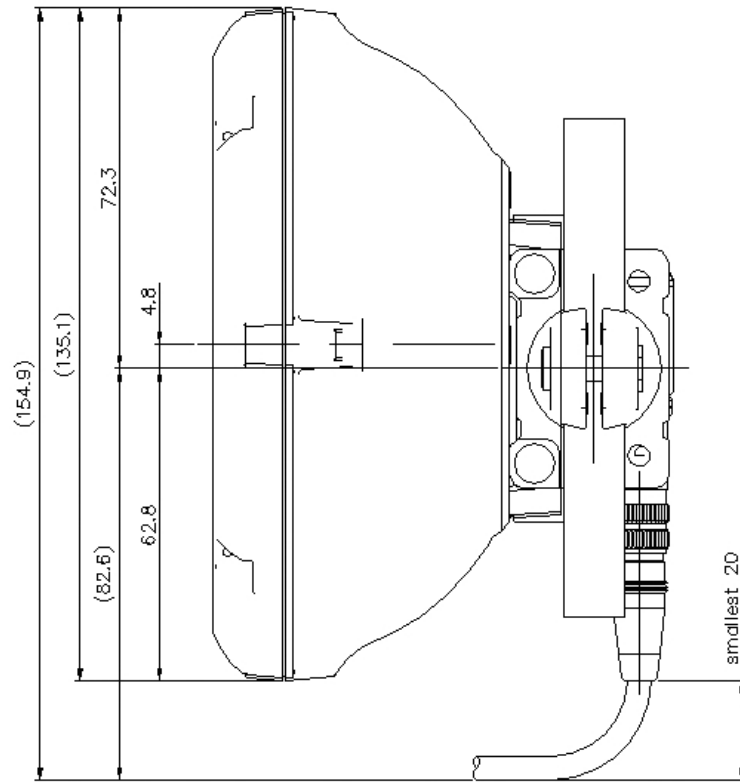
A support pipe of $\varnothing 12$ is not included in OP-87910.



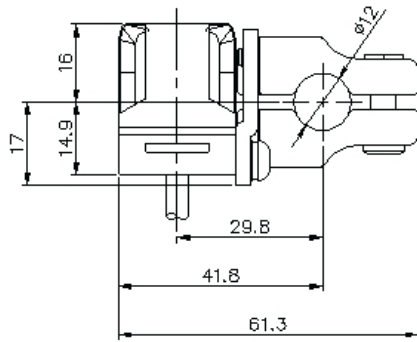
IV2-G150MA/G300CA/G500CA/G500MA/G600MA/GD10/OP-87910



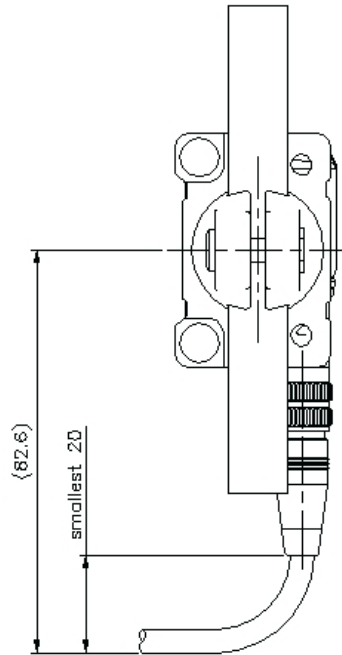
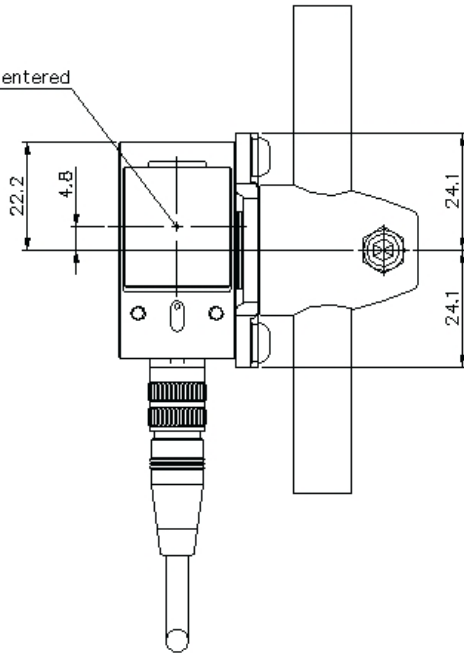
A support pipe of $\varnothing 12$ is not included in DP-87910.



IV2-G150MA/G300CA/G500CA
/G500MA/G600MA/OP-87910



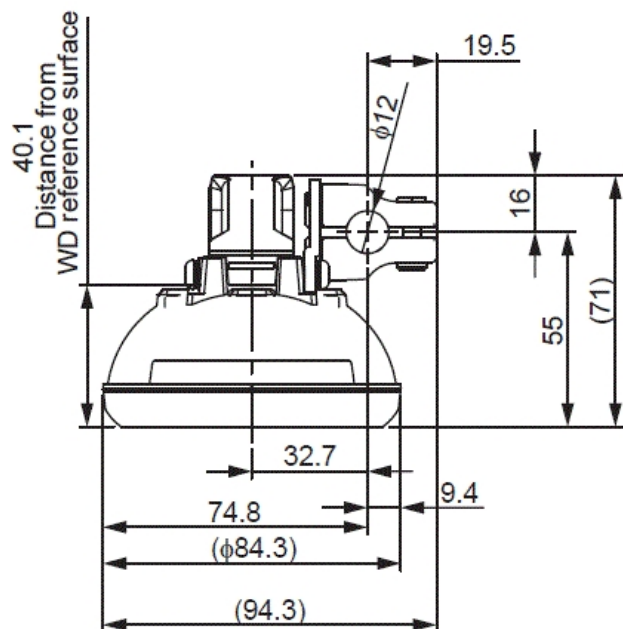
Light receiving-centered



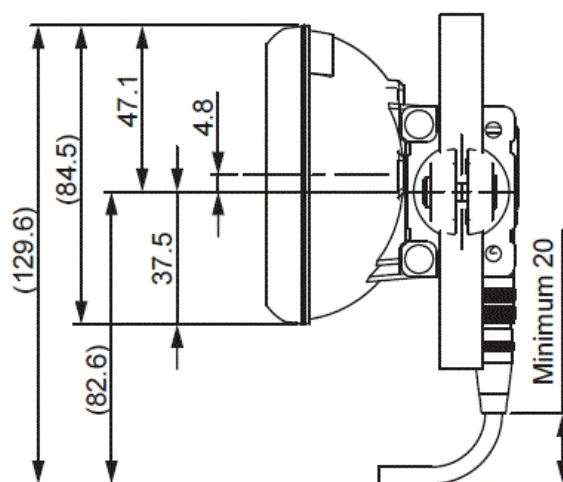
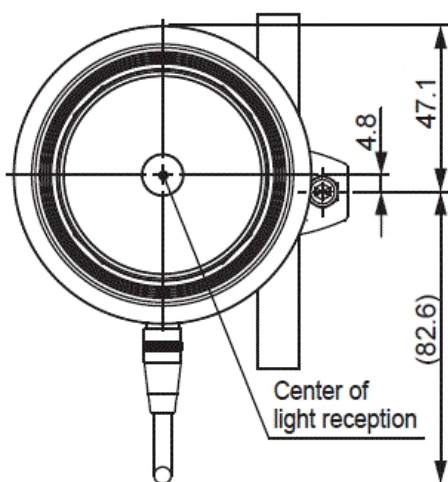
A support pipe of 12 is not included in OP-87910.

IV-G_CAMERA_GD05_OP-87910_dimension_01.gif

• Dome attachment for IV-G series (IV-GD05)
with Adjustable bracket for IV-G series (OP-87910)

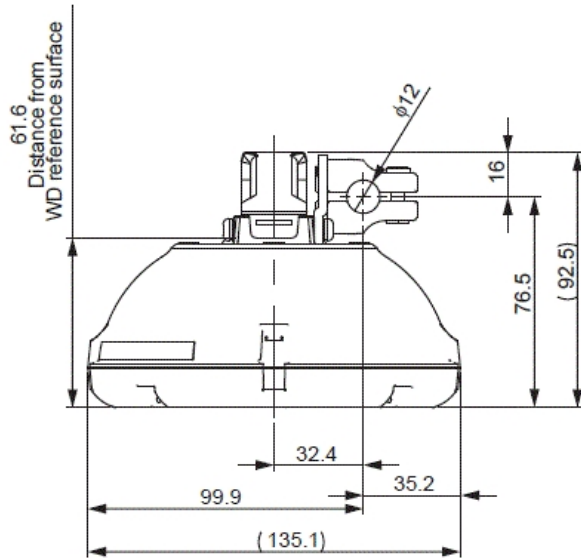


* Strut φ12 is not supplied with the OP-87910

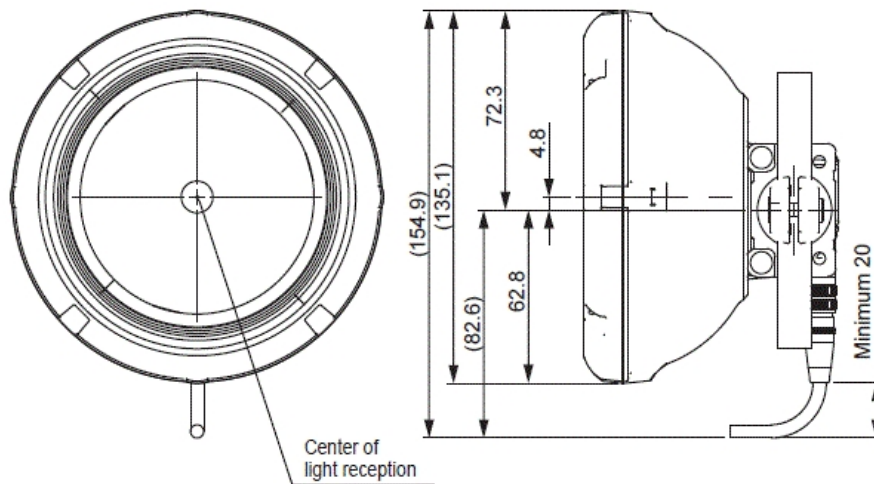


IV-G_CAMERA_GD10_OP-87910_dimension_01.gif

• Dome attachment for IV-G series (IV-GD10) with
Adjustable bracket for IV-G series (OP-87910)

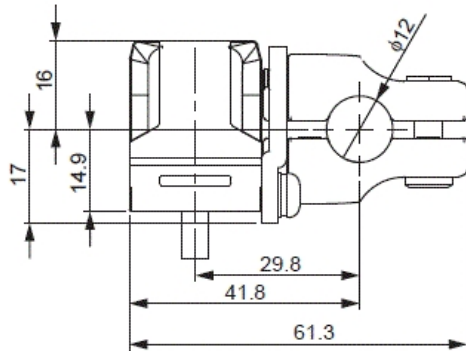


* Strut $\phi 12$ is not supplied with the OP-87910

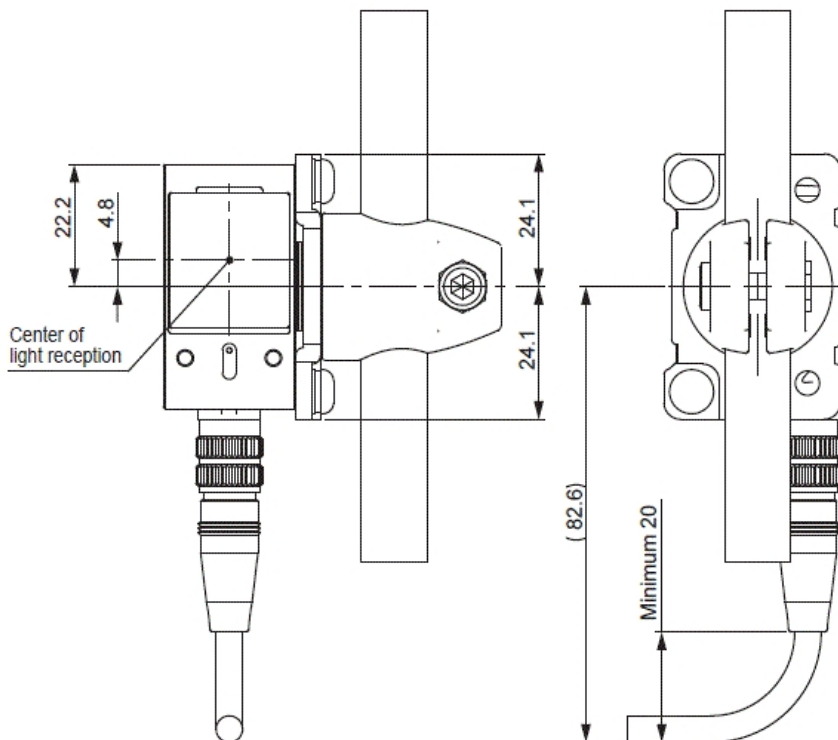


IV-G_CAMERA_OP-87910_dimension_01.gif

- With Adjustable bracket for IV-G series
(OP-87910)

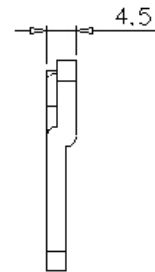
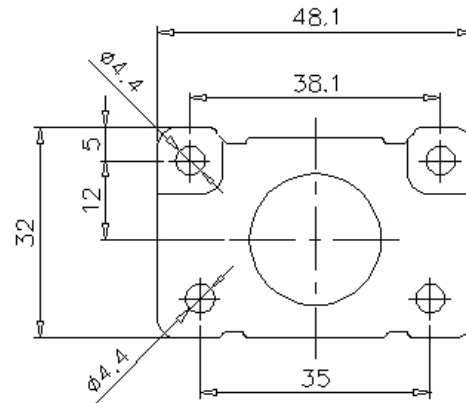
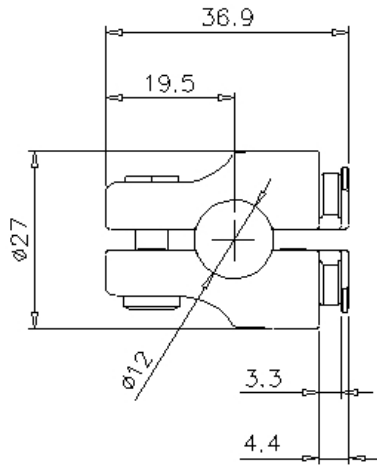


* Strut $\phi 12$ is not supplied with the OP-87910

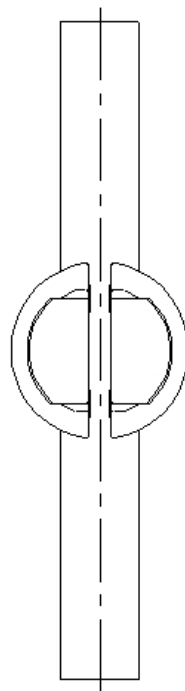
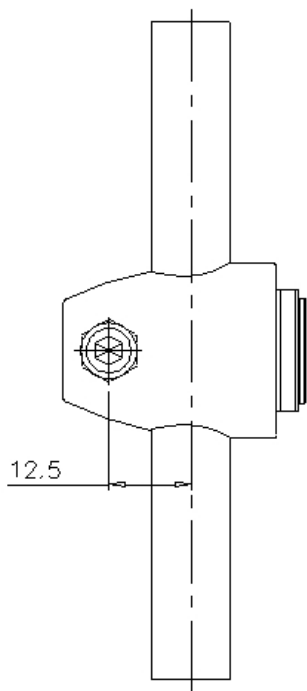


OP-87910_dimension_01.gif

OP-87910



Material: A5052
t=3.0

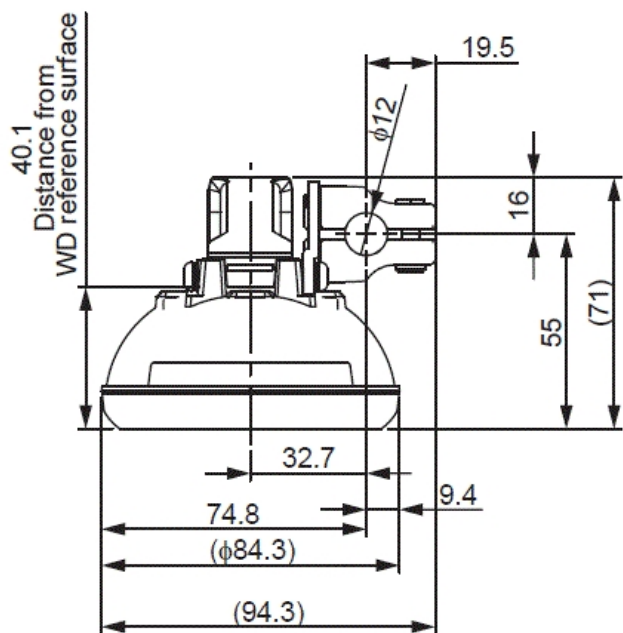


Bracket
Material: Die-cast zinc

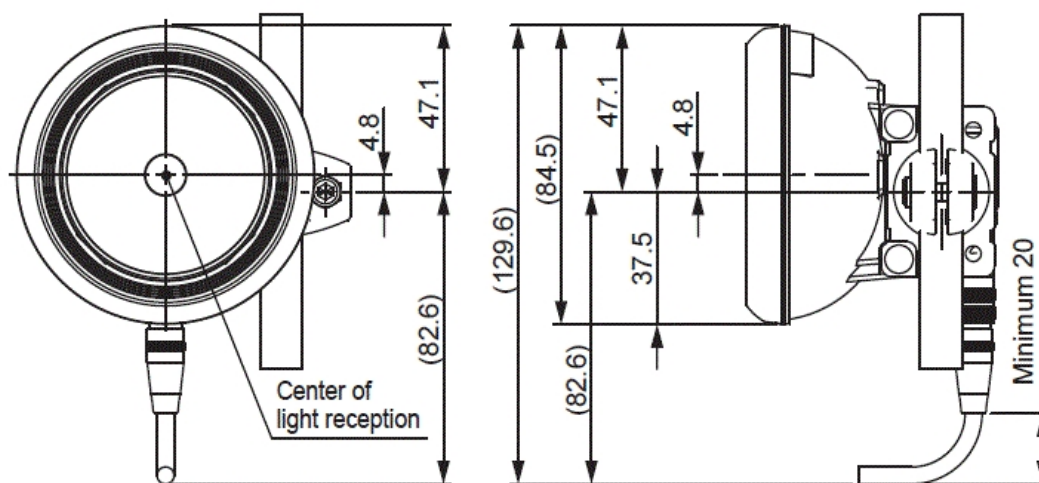
A support pipe of $\phi 12$ is not included in OP-87910.

iv-g_hg_camera_gd05_op87910_dimension_01.gif

• Dome attachment for IV-HG series (IV-GD05)
with Adjustable bracket for IV-HG series (OP-87910)

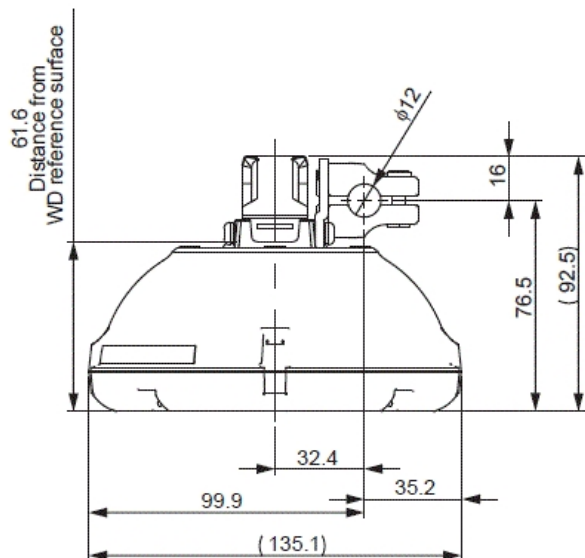


* Strut $\phi 12$ is not supplied
with the OP-87910

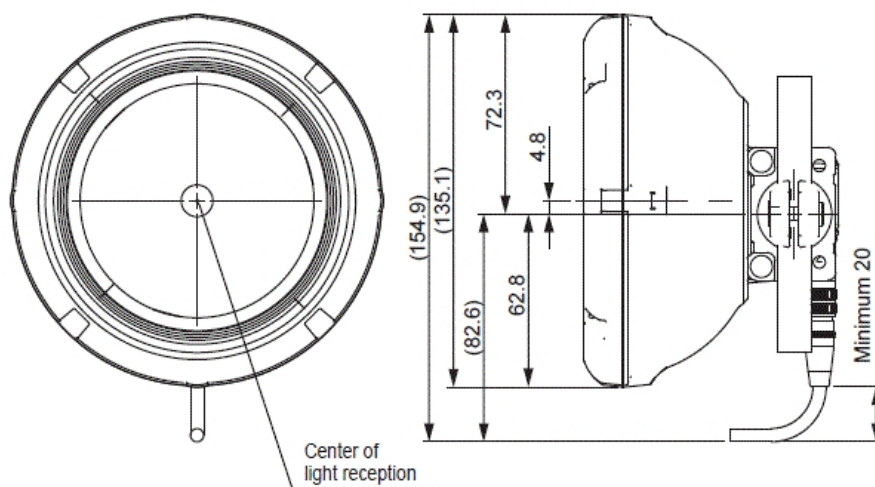


iv-g_hg_camera_gd10_op87910_dimension_01.gif

- Dome attachment for IV-HG series (IV-GD10) with Adjustable bracket for IV-HG series (OP-87910)

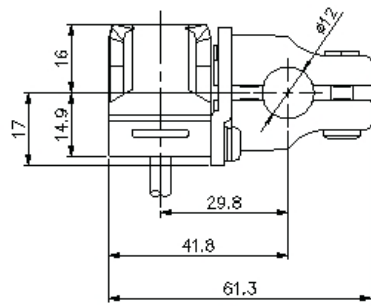


* Strut $\phi 12$ is not supplied with the OP-87910

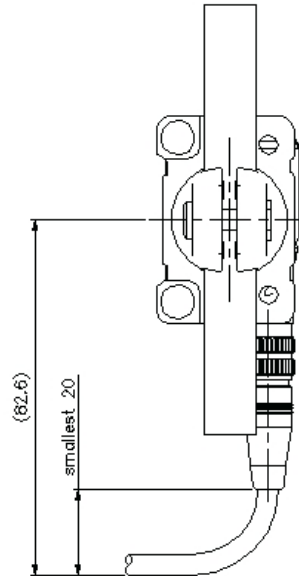
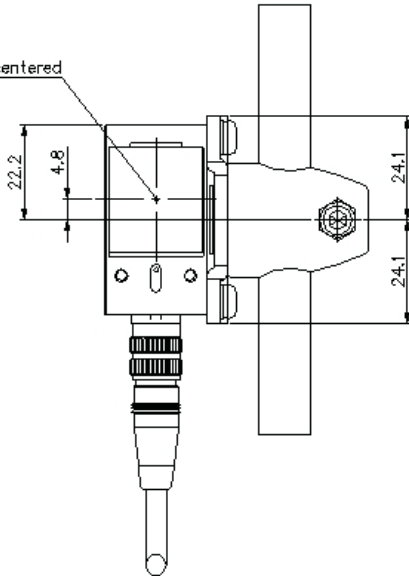


iv-g_hg_camera_op87910_dimension_01.gif

IV-G150MA/G300CA/G500CA/G500MA
 /G600MA/HG150MA/HG300CA/HG500CA
 /HG500MA/HG600MA/OP-87910



Light receiving-centered



A support pipe of $\varnothing 12$ is not included in OP-87910.