



Display, 80mm, 132x64pixels, monochrome, IP65\_x, with Eaton logotype



**Part no.** MFD-80  
**Catalog No.** 265250  
**EL-Nummer (Norway)** 4519700

**Delivery program**

Product range			Multi-function-display MFD-Titan
Accessories			Remote text display
			monochrome display 132 x 64 pixels with switchable backlight removable Titan front frame Custom laser inscriptions possible with MFD-COMBINATION (article no. 2010801) product
Display			with display, without keypad
Eaton logotype			with Eaton company logotype
Degree of Protection			IP65

**Technical data**

**General**

Standards			EN 61000-6-1/-2/-3/-4, IEC 60068-2-6, IEC 60068-2-27
Dimensions (W x H x D)		mm	86.5 x 86.5 x 21.5 (with actuators) 86.5 x 86.5 x 20 (without actuators)
Weight		kg	0.13
Mounting			2 x 22.5 mm, display fixed with 2 fixing rings. Wall thickness: without top-hat rail (CPU) 1 - 6 mm with top-hat rail 1 - 4 mm
Power loss	P	W	0

**Climatic environmental conditions**

Operating ambient temperature		°C	-25 to 55, cold as per IEC 60068-2-1, heat as per IEC 60068-2-2
Condensation			Take appropriate measures to prevent condensation
LCD display (clearly legible)		°C	-5 - 50 - (-10 to 0 when background lighting is switched on (continuous operation))
Storage		°C	- 40 - 70
Relative humidity, non-condensing (IEC/EN 60068-2-30)		%	5 - 95
Air pressure (operation)		hPa	795 - 1080

**Ambient conditions, mechanical**

Protection type (IEC/EN 60529, EN50178, VBG 4)			IP65
Vibrations (IEC/EN 60068-2-6)		Hz	
Constant amplitude 0.15 mm		Hz	10 - 57
Constant acceleration 2 g		Hz	57 - 150
Mechanical shock resistance (IEC/EN 60068-2-27) semi-sinusoidal 15 g/11 ms		Impacts	18
Drop to IEC/EN 60068-2-31	Drop height	mm	50
Free fall, packaged (IEC/EN 60068-2-32)		m	1
Mounting position			Vertical or horizontal

**Electromagnetic compatibility (EMC)**

Electrostatic discharge (IEC/EN 61000-4-2, Level 3, ESD)		kV	
Air discharge		kV	8
Contact discharge		kV	6
Electromagnetic fields (RFI) to IEC EN 61000-4-3		V/m	10
Radio interference suppression			EN 55011 Class B, EN 55022 Class B
Burst Impulse (IEC/EN 61000-4-4, Level 3)			
Supply cable		kV	2
Signal lines		kV	2
Immunity to line-conducted interference to (IEC/EN 61000-4-6)		V	10

**Insulation resistance**

Clearance in air and creepage distances			EN 50178, UL 508, CSA C22.2, No. 142
Insulation resistance			EN 50178

## Design verification as per IEC/EN 61439

Technical data for design verification			
Static heat dissipation, non-current-dependent	P <sub>vs</sub>	W	0
Operating ambient temperature min.		°C	-25
Operating ambient temperature max.		°C	55
IEC/EN 61439 design verification			
10.2 Strength of materials and parts			
10.2.2 Corrosion resistance			Meets the product standard's requirements.
10.2.3.1 Verification of thermal stability of enclosures			Meets the product standard's requirements.
10.2.3.2 Verification of resistance of insulating materials to normal heat			Meets the product standard's requirements.
10.2.3.3 Verification of resistance of insulating materials to abnormal heat and fire due to internal electric effects			Meets the product standard's requirements.
10.2.4 Resistance to ultra-violet (UV) radiation			Please enquire
10.2.5 Lifting			Does not apply, since the entire switchgear needs to be evaluated.
10.2.6 Mechanical impact			Does not apply, since the entire switchgear needs to be evaluated.
10.2.7 Inscriptions			Meets the product standard's requirements.
10.3 Degree of protection of ASSEMBLIES			Meets the product standard's requirements.
10.4 Clearances and creepage distances			Meets the product standard's requirements.
10.5 Protection against electric shock			Does not apply, since the entire switchgear needs to be evaluated.
10.6 Incorporation of switching devices and components			Does not apply, since the entire switchgear needs to be evaluated.
10.7 Internal electrical circuits and connections			Is the panel builder's responsibility.
10.8 Connections for external conductors			Is the panel builder's responsibility.
10.9 Insulation properties			
10.9.2 Power-frequency electric strength			Is the panel builder's responsibility.
10.9.3 Impulse withstand voltage			Is the panel builder's responsibility.
10.9.4 Testing of enclosures made of insulating material			Is the panel builder's responsibility.
10.10 Temperature rise			The panel builder is responsible for the temperature rise calculation. Eaton will provide heat dissipation data for the devices.
10.11 Short-circuit rating			Is the panel builder's responsibility.
10.12 Electromagnetic compatibility			Is the panel builder's responsibility.
10.13 Mechanical function			The device meets the requirements, provided the information in the instruction leaflet (IL) is observed.

## Technical data ETIM 7.0

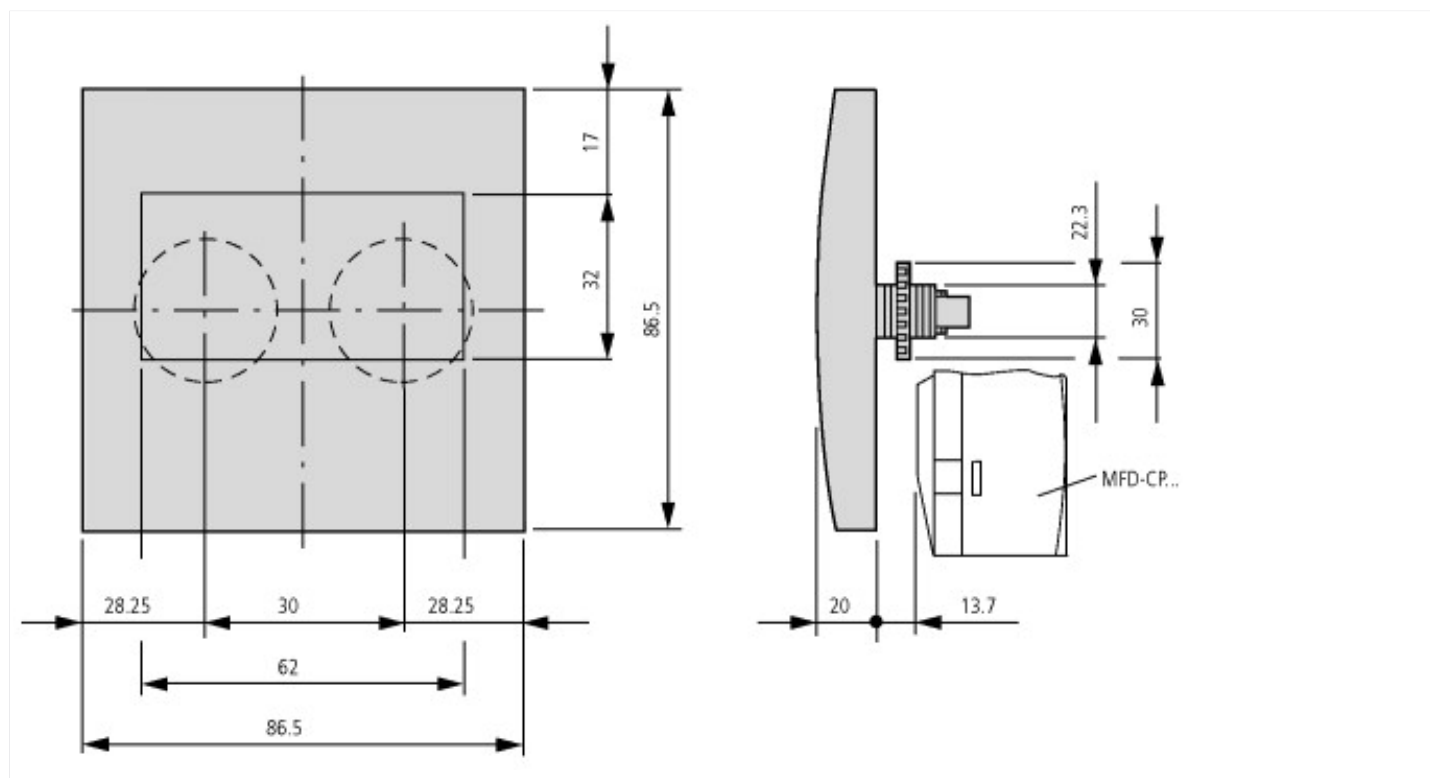
PLC's (EG000024) / Graphic panel (EC001412)			
Electric engineering, automation, process control engineering / Display and control component / Panel (HMI) / Graphic panel (HMI) (ecl@ss10.0.1-27-33-02-01 [AFX016003])			
Supply voltage AC 50 Hz		V	0 - 0
Supply voltage AC 60 Hz		V	0 - 0
Supply voltage DC		V	20.4 - 28.8
Voltage type of supply voltage			DC
Number of HW-interfaces industrial Ethernet			0
Number of interfaces PROFINET			0
Number of HW-interfaces RS-232			0
Number of HW-interfaces RS-422			0
Number of HW-interfaces RS-485			0
Number of HW-interfaces serial TTY			0
Number of HW-interfaces USB			0
Number of HW-interfaces parallel			0
Number of HW-interfaces Wireless			0
Number of HW-interfaces other			1
With SW interfaces			No
Supporting protocol for TCP/IP			No
Supporting protocol for PROFIBUS			No
Supporting protocol for CAN			No
Supporting protocol for INTERBUS			No
Supporting protocol for ASI			No

Supporting protocol for KNX		No
Supporting protocol for MODBUS		No
Supporting protocol for Data-Highway		No
Supporting protocol for DeviceNet		No
Supporting protocol for SUCONET		No
Supporting protocol for LON		No
Supporting protocol for PROFINET IO		No
Supporting protocol for PROFINET CBA		No
Supporting protocol for SERCOS		No
Supporting protocol for Foundation Fieldbus		No
Supporting protocol for EtherNet/IP		No
Supporting protocol for AS-Interface Safety at Work		No
Supporting protocol for DeviceNet Safety		No
Supporting protocol for INTERBUS-Safety		No
Supporting protocol for PROFIsafe		No
Supporting protocol for SafetyBUS p		No
Supporting protocol for other bus systems		Yes
Radio standard Bluetooth		No
Radio standard WLAN 802.11		No
Radio standard GPRS		No
Radio standard GSM		No
Radio standard UMTS		No
IO link master		No
Type of display		LCD
With colour display		No
Number of colours of the display		2
Number of grey-scales/blue-scales of display		2
Screen diagonal	inch	2.75
Number of pixels, horizontal		132
Number of pixels, vertical		64
Useful project memory/user memory	kByte	0
With numeric keyboard		No
With alpha numeric keyboard		No
Number of function buttons, programmable		9
Number of buttons with LED		0
Number of system buttons		0
Touch technology		None
With message indication		Yes
With message system (incl. buffer and confirmation)		No
Process value representation (output) possible		Yes
Process default value (input) possible		Yes
With recipes		No
Number of password levels		0
With printer output		No
Number of online languages		256
Additional software components, loadable		Yes
Degree of protection (IP), front side		IP65
Degree of protection (NEMA), front side		4X
Operation temperature	°C	5 - 55
Rail mounting possible		Yes
Wall mounting/direct mounting		No
Suitable for safety functions		No
Width of the front	mm	86.5
Height of the front	mm	86.5
Built-in depth	mm	43

## Approvals

Product Standards		IEC/EN see Technical Data; UL 508; CSA C22.2 No. 142-M1987; CSA C22.2 No. 213-M1987; CE marking
UL File No.		E135462
UL Category Control No.		NRAQ
CSA File No.		012528
CSA Class No.		2252-01 + 2258-02
North America Certification		UL listed, CSA certified
Degree of Protection		IEC: IP65, UL/CSA Type 4X

## Dimensions



## Assets (links)

### Declaration of CE Conformity

00002594

### Instruction Leaflets

IL05013014Z2018\_02

### Manuals

MN05002001Z\_EN (English)

MN05013011Z\_EN (English)

## Additional product information (links)

### Instruction leaflet "Multi-function display, easy control relays" IL05013014Z (AWA2528-2019)

Instruction leaflet "Multi-function display, easy control relays" IL05013014Z (AWA2528-2019) [ftp://ftp.moeller.net/DOCUMENTATION/AWA\\_INSTRUCTIONS/IL05013014Z2018\\_02.pdf](ftp://ftp.moeller.net/DOCUMENTATION/AWA_INSTRUCTIONS/IL05013014Z2018_02.pdf)

### Instruction leaflet "protective diaphragm for multi-function display" IL05013017Z (AWA2528-2174)

Instruction leaflet "protective diaphragm for multi-function display" IL05013017Z (AWA2528-2174) [ftp://ftp.moeller.net/DOCUMENTATION/AWA\\_INSTRUCTIONS/IL05013017Z2010\\_11.pdf](ftp://ftp.moeller.net/DOCUMENTATION/AWA_INSTRUCTIONS/IL05013017Z2010_11.pdf)

### Instruction leaflet "power supply unit, communication"

Instruction leaflet "power supply unit, communication" [ftp://ftp.moeller.net/DOCUMENTATION/AWA\\_INSTRUCTIONS/IL05013018Z2018\\_02.pdf](ftp://ftp.moeller.net/DOCUMENTATION/AWA_INSTRUCTIONS/IL05013018Z2018_02.pdf)

### Manual "MFD-Titan multi-function display" MN05002001Z (AWB2528-1480)

Handbuch „Multifunktions-Display MFD-Titan“ MN05002001Z (AWB2528-1480) - Deutsch [ftp://ftp.moeller.net/DOCUMENTATION/AWB\\_MANUALS/MN05002001Z\\_DE.pdf](ftp://ftp.moeller.net/DOCUMENTATION/AWB_MANUALS/MN05002001Z_DE.pdf)

Manual "MFD-Titan multi-function display" MN05002001Z (AWB2528-1480) - English [ftp://ftp.moeller.net/DOCUMENTATION/AWB\\_MANUALS/MN05002001Z\\_EN.pdf](ftp://ftp.moeller.net/DOCUMENTATION/AWB_MANUALS/MN05002001Z_EN.pdf)

### Manual "MFD-CP4, power supply unit/communication module" MN05013011Z (AWB2528-1548)

Handbuch „MFD-CP4, Stromversorgungseinheit/ [ftp://ftp.moeller.net/DOCUMENTATION/AWB\\_MANUALS/MN05013011Z\\_DE.pdf](ftp://ftp.moeller.net/DOCUMENTATION/AWB_MANUALS/MN05013011Z_DE.pdf)

Kommunikationsmodul" MN05013011Z (AWB2528-1548) - Deutsch	
Manual "MFD-CP4, power supply unit/ communication module" MN05013011Z (AWB2528-1548) - English	<a href="ftp://ftp.moeller.net/DOCUMENTATION/AWB_MANUALS/MN05013011Z_EN.pdf">ftp://ftp.moeller.net/DOCUMENTATION/AWB_MANUALS/MN05013011Z_EN.pdf</a>
f1=1454&f2=1179;Labeleditor	<a href="http://applications.eaton.eu/sdlc?LX=11&amp;amp">http://applications.eaton.eu/sdlc?LX=11&amp;amp</a>
Product overview (WEB)	<a href="http://www.eaton.eu/mfd">http://www.eaton.eu/mfd</a>